

GI400-EX / GI410-EX

ATEX 2/22 ZONES



Weight indicator for classification 2 & 22 ATEX zones in group II, category 3.

- » Zone 2: places where flammable gases or vapours are unlikely to be present or are present for short periods of time.
- » Zone 22: places where combustible dust is unlikely to be present or is present for short periods of time.

Protection methods in accordance with:

- » ATEX II 3G Ex nR IIC T6 Gc X (for gases)
- » ATEX II 3D tc IIIC T85°C Dc IP68 (for dust)

ZONE 2

- » Printers
- » Spray painting plants
- » Petrol stations (areas that are accessible to customers)
- » Textile and dyeing plants
- » Chemical industry
- » Waste processing plants
- » Petrochemical industry
- » Pharmaceutical industry
- » Plastics factories
- » Furniture factories

ZONE 22

- » Cereal mills
- » Waste treatment plants
- » Textile industry
- » Chemical industry
- » Waste processing plants
- » Pharmaceutical industry
- » Woodworking machinery
- » Cereal, legume and coffee warehouses

CHECKWEIGHER



With visual value alarm

FEATURES

- » Operation in zones 2/22 via power supply
- » Operation in zones 2/22 via internal battery (optional)
- » Working temperature -10°C to 40°C
- » Stainless steel housing
- » Reclining wall support
- » Telephone keypad (GI410 version)
- » Units: kg
- » Other features:
 - » Integrated clock and calendar
 - » Format tickets with configurable weighing code
- » Screen:
 - » Display with 6 digits of 40mm
 - » Backlight function: On/off/auto
 - » Screen colour indication with checkweigher function
- » 2 RS232 output

EXCITATION

Power Supply	110-230V AC, 50/60 Hz 12V DC
Minimum entrance tension for step of verification	1µV
Tension of supply of the load cell	5 VDC
Maximum tension of range of measure	20 mV
Minimum tension of range of measure	0,01 mV
Load cell minimum	25 Ω
Load cell maximum	1100 Ω



Cable glands for ATEX zones

INDICATORS

Description	Code #
Indicator GI410i LCD IP68 ATEX	210266
Indicator GI410i LCD IP68 ATEX 12V	210293
Indicator GI400i LCD IP68 ATEX	210267
Indicator GI400i LCD IP68 ATEX 12V	210294

ADDITIONAL

Description	Code #
Internal battery (3,7 V/5,2 Ah). Lithium-ion technology	220001
RS485 output	220002
Additional plate 4-20mA / 0-10V	220003
Additional plate 4/E 4/S relés	220004
Communication board - Ethernet	220005
Additional plate ALIBI/DSD Memory	220008

It is just possible to have 2 of the following optionals in the same indicator 220001 | 220003 | 220004 | 220005

ACCESSORIES

Description	Code #
Junction Box up to 4 load cells for ATEX zones	240052
Junction Box up to 8 load cells for ATEX zones	240051

FUNCTIONS

- » REPEATER
- » PIECE COUNTING
- » TOTALISATION
- » CHECKWEIGHER
- » NEGATIVE CHECKWEIGHER
- » LIMITS
- » DOSAGE
- » More than 30 protocols
- » System of 2 passwords to lock out functions
- » 8 format of predefined tickets and 1 customizable (associated software)
- » Printing configurable menu: number of copies, cutter on/off, line feed
- » Watchdog system to reset automatically if the indicator gets blocked

PRINTING

- » Programmer of three headings (PC), code and total

LANGUAGES

- » English, French, Italian, Portuguese and Spanish

METROLOGICAL SPECIFICATIONS

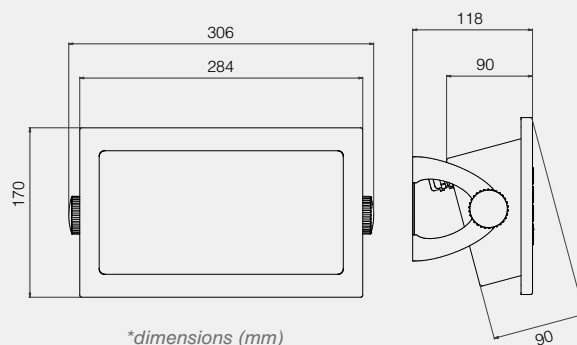
- » III and IIII classes
- » Max. number of verification steps 6000
- » Monorange, multirange or multiinterval (n ≤ 3000, per partial range of weighing)

SOFTWARE*

- » For monitoring, management and control of access to the weighing system



*please contact us for more information



Net weight (kg) 2,6

Packing weight (kg) 3

Packing dimensions (mm) 370 x 230 x 125

