

**APPLICATION:**

Multi-cell scales

**CAPACITY RANGE:**

750kg - 1000kg - 1500kg

**MATERIAL:**

Plated steel

**ENVIRONMENTAL PROTECTION:**

IP67

**APPROVALS:**

CE 3000 Div - TC6177

OIML 3000 Div - R60/2000-NL 1-03.02

**CHARACTERISTICS**

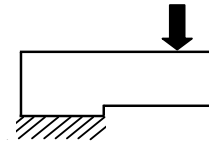
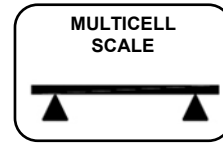
Construction using special steel.  
High quality protection barrier using special silicones.  
Mounting compatibility.

**APPLICATIONS**

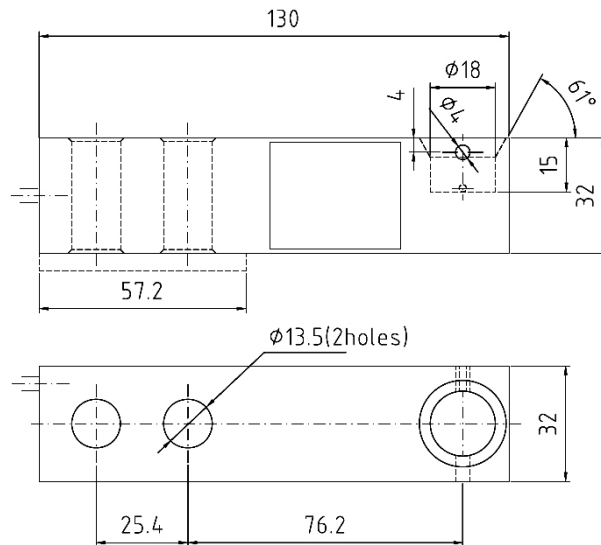
CS2T model is manufactured to maintain its performance capabilities in the environmental conditions existing in industries, where tasks and cleaning demand a good environmental protection.

**OPTIONS**

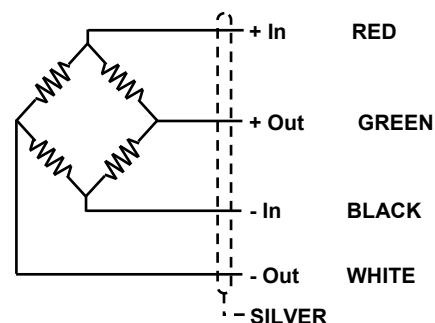
Consult for special requirements.



**TEFLÓN® protects all the internal cables**



Dimensions in mm



GENERAL TECHNICAL CHARACTERISTICS FOR  $g = 9,8031 \text{ m/s}^2$

OIML Class	C3	UNITS
Divisions $n_{LC}$	3000	
Minimum Dead load $E_{min}$	0	kg
$Z = E_{max} / 2DR$	3000	
$Y = E_{max} / V_{min}$	10000	
Rated Capacity $E_{max}$	750 - 1000 - 1500	kg
Rated Sensitivity C	$2 \pm 0,1 \%$	mV/V
Rated Input Voltage	10	V dc
Input Voltage Range	5...15	V ac/dc
Input Resistance $R_{LC}$	$385 \pm 20$	$\Omega$
Output Resistance	$350 \pm 3$	$\Omega$
Zero Balance	$\pm 2$	% $E_{max}$
Insulation Resistance at 50 V DC	> 5000	M $\Omega$
Service Overload	> 150	% $E_{max}$
Overload Limit	> 300	% $E_{max}$
Temperature Range : Compensated	- 10 ... 40	$^{\circ}\text{C}$
: Operating	- 30 ... 85	$^{\circ}\text{C}$
: Storage	- 30 ... 90	$^{\circ}\text{C}$
Max. Nonlinearity	0,02	% $E_{max}$
Max. Hysteresis	0,02	% $E_{max}$
Max. No repeatability	0,01	% $E_{max}$
M Max. Creep in 4 hours	0,03	% $E_{max}$
Max. Zero Recovery Test in 1/2 hour	0,01	% $E_{max}$
Max Temperature effect : On Sensitivity	0,0013	% $E_{max} / ^{\circ}\text{C}$
: On Zero	0,0014	% $E_{max} / ^{\circ}\text{C}$
Weight	830	g
Cable Length	5	m
Environmental Protection	IP67 - DIN 40050	



Ref: 491113