



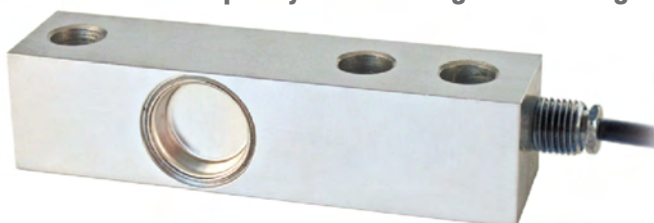
### BENDING BEAM: capacity from 75 kg to 300 kg



IP67

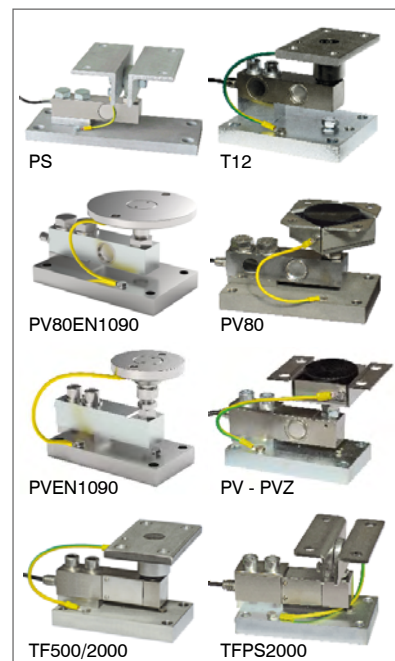
### SHEAR BEAM: capacity from 500 kg to 10000 kg

IP68  
IP69K



- AISI 420 STAINLESS STEEL
- COMBINED ERROR  $\leq \pm 0.02\%$
- PROTECTION CLASS IP67 - IP68

### MOUNTING KITS



CAPACITY	kg	ACCURACY CLASS C3		NET WEIGHT (kg)	CODE
75		•	•	0.9	FTP75
150		•	•	0.9	FTP150
300		•	•	0.9	FTP300
500		•	•	0.9	FTP500
750		•	•	0.9	FTP750
1000		•	•	0.9	FTP1000
1500		•	•	0.9	FTP1500
2000		•	•	0.9	FTP2000
3000		–	–	1.6	FTP3000
5000		–	–	1.6	FTP5000
10000		–	–	3.8	FTP10000

### CERTIFICATIONS

- OIML R60 C3
- Complies with the Eurasian Customs Union standards
- Equivalent of the CE marking for the United Kingdom
- Complies with United Kingdom regulations for legal for trade use

#### CERTIFICATIONS ON REQUEST

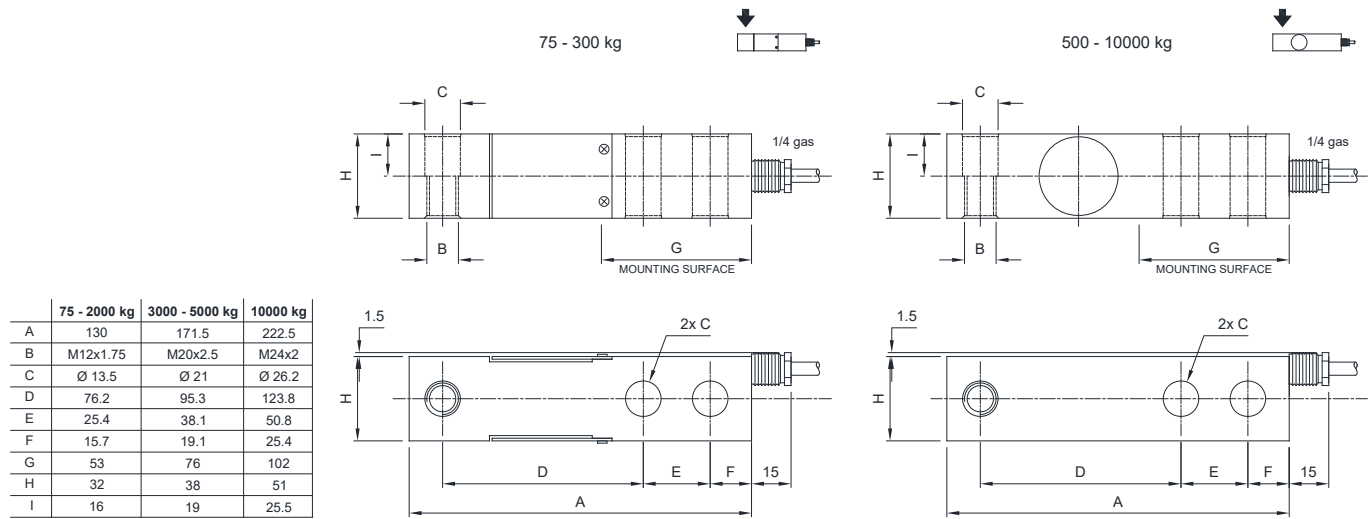
Declaration of conformity + IP69K marking protection rating  
Water protection in case of high-pressure or steam jet cleaning (test: pressurized water is sprayed from a distance of max 150 mm)  
Water pressure: 100 bar; temperature: 80 °C; test duration: 250 seconds (reference standard: DIN 40050-9)

ATEX II 1GD (zone 0-1-2-20-21-22) (CE - UK CA)

IECEx (zone 0-1-2-20-21-22)

Complies with the Eurasian Customs Union standards for use in potentially explosive atmospheres

### DIMENSIONS (mm)



For the load cell fixing screws, provide the tightening torque indicated in the table

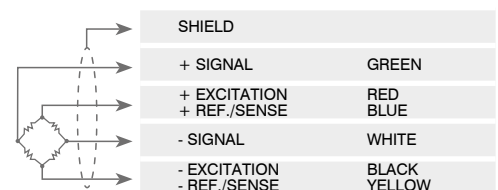
Screw	M12		M20		M24	
	6.8	8.8	6.8	8.8	6.8	8.8
Tightening torque	50 Nm	79 Nm	290 Nm	400 Nm	500 Nm	690 Nm

### TECHNICAL FEATURES

Material	AISI 420 stainless steel		
OIML R60 Accuracy class • Verification intervals	C3 • 3000		-
Nominal load (E max)	75 - 150 - 300 - 500 kg 1000 - 1500 - 2000 kg	3000 - 5000 - 10000 kg	
Minimum verification interval (V min)	E max / 15000		-
Combined error	≤ ±0.02%		
Protection class	IP67 (75 - 300 kg), IP68 (500 - 10000 kg)		
Input resistance	385 Ω ± 10		400 Ω ± 15
Output resistance	350 Ω ± 3		350 Ω ± 5
Rated output	2 mV/V ± 0.1%	Max supply voltage without damage	15 V
Temperature effect on zero	0.002% °C	Zero balance	±2%
Temperature effect on span	0.0012% °C	Insulation resistance	≥ 5000 MΩ
Compensated temperature range	-10 °C / +40 °C	Safe overload (% of full scale)	150%
Operating temperature range	-20 °C / +70 °C	Ultimate overload (% of full scale)	200%
Creep at nominal load in 30 minutes	0.03%	Deflection at nominal load	0.4 mm

### ELECTRICAL CONNECTIONS

Cable length	5 m (75-5000 kg); 10 m (10000 kg)
Cable diameter	5 mm
Cores	6 x 0.25 mm <sup>2</sup>



The Company reserves the right to make changes to the technical data, drawings and images without notice.