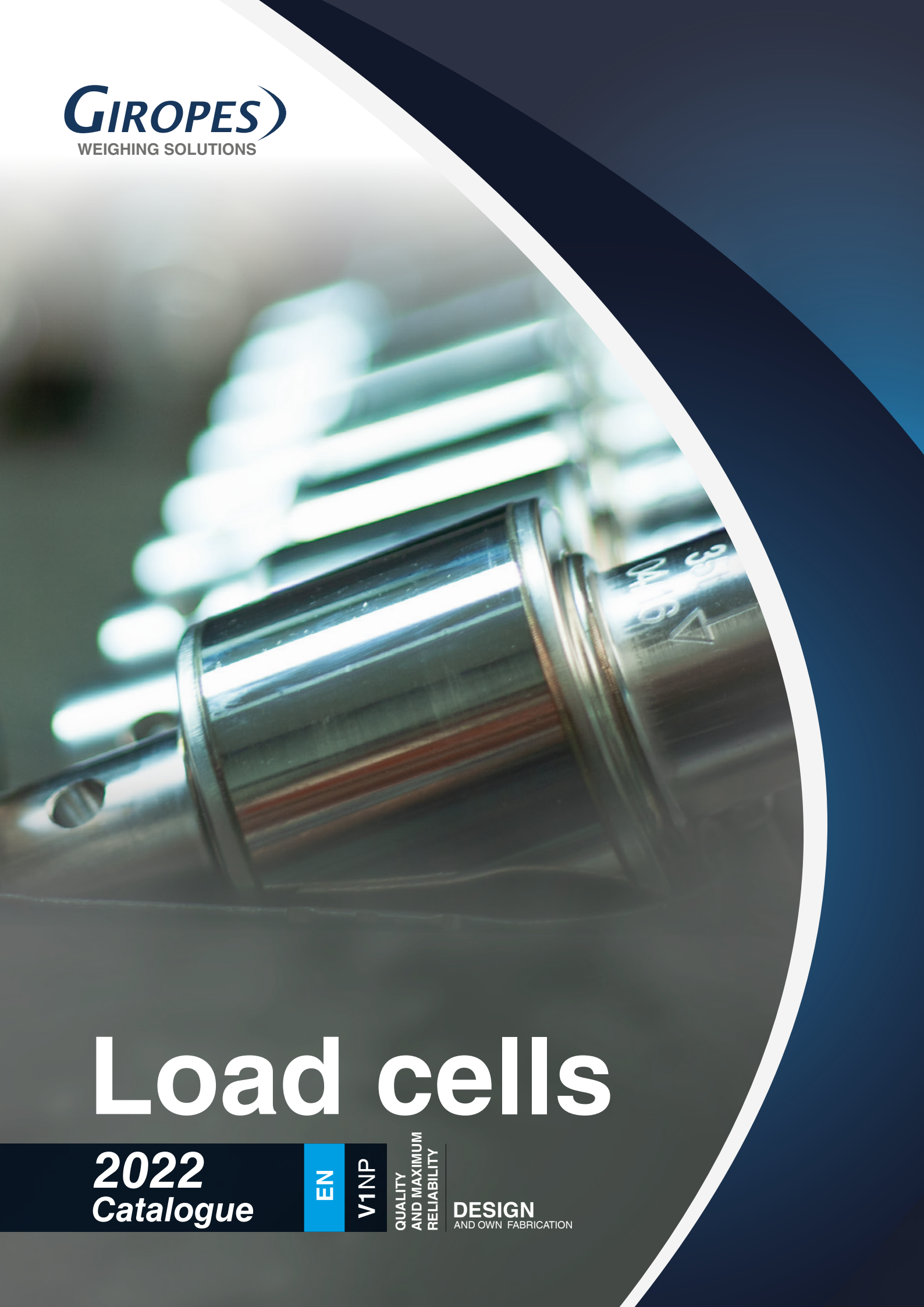


GIROPES

WEIGHING SOLUTIONS



Load cells

2022
Catalogue

EN

V1NP

QUALITY
AND MAXIMUM
RELIABILITY

DESIGN
AND OWN FABRICATION





GIROPES

THE VALUE OF WEIGHT AS INSPIRATION AND PASSION

From the very beginning, Giropes has regarded weighing as a vital part of the production and quality processes. As such, it has always invested in R&D to be able to offer the most complete weighing solutions possible without limiting itself to simple weighing systems.

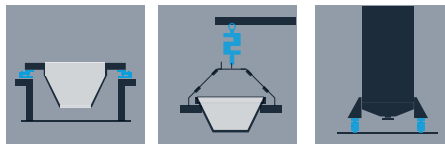
With the desire for continuous improvement and this strong investment in R&D, Giropes has gone from being a metal processing company focused on the treatment of metal to convert it into elements of a weighing system, to a cutting-edge company that has committed itself to offering all the solutions that revolve around this complex process.

Over the last few years Giropes has invested heavily in R&D, incorporating its own manufactured weight indicators, complete automations for all types of installations and weighing software that allows complete control over your facilities.

Integrated load cells, solutions for the industry

The catalog of Giropès products has been tailored to give solutions to different processes in the industry, where weighing is vital to optimize resources and their production. We provide innovative solutions to important companies in the food, construction and recycling sectors, all over the world.

Reliable and accurate weighing **WEIGHING TANKS, HOPPERS AND REACTORS**



Complete solutions with weighing systems of hoppers and silos, offering the different components and devices to complete the installation.

Giropès load cells range with different capacities, precisions and protection according to the demands of the work environment.

Weighing indicators helping process of automation and weighing system control.

WEIGHING SUSPENDED HOPPER

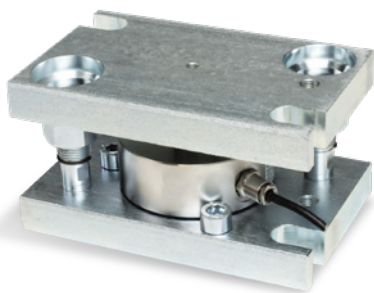
Mounting kits with load cells allow to solve the weighing with reactors.

PESAJE SUSPENDIDO DE UNA TOLVA

We offer different types of load cells to make these solutions directly or with our traction accessories.

WEIGHING SILOS

Our mounting kits allow us to solve weighing with silos or hoppers. Including specific silent blocks to absorb vibrations.



MOUNTING KITS

We offer a wide range of assembly solutions to integrate into any installation already assembled or to complete in the engineering study process.

Our load cells mounting kits offer different protections, capacities and precision classes.

Weighing and dosing **WEIGHING FOR AUTOMATION OF PROCESSES**

We offer weighing solutions to optimize your productivity and the availability of your equipment.

We offer a wide and dedicated catalog to complete the weighing and dosing solutions, specifically for the integration in monitoring systems and control of manufacturing processes.



GIROPES



LOAD CELLS

INDEX

G1M	8
G3M	9
G6MD	10
G6M	11
L6D	12
L6F	13
L6E	14
L6G	15
G4M	16

LOAD CELLS

SINGLE CELL

ACCESSORIES

	JUNCTIONS BOXS PLASTIC AND ALUMINIUM
56-58	JUNCTIONS BOXS STAINLESS STEEL
59-60	FEET
61	ROD ENDS FOR TENSION



	G3S	18
	G5N	19
SUPPORT & ACCESSORIES	G5N	22
	G5i	20
	G5Ti	21
SUPPORT & ACCESSORIES	G5i / G5Ti	22
	G35	24
SUPPORT & ACCESSORIES	G35	25
	H8C	26
	G1i	27
SUPPORT & ACCESSORIES	G1i	27
	G2i	28
SUPPORT & ACCESSORIES	G2i	29
	G34	30
SUPPORT & ACCESSORIES	G34	31
	GTH	32
SUPPORT & ACCESSORIES	GTH	32
	460	34
SUPPORT & ACCESSORIES	460	35

	GTD	36
	GTC	37
	G6R	38
	C16	39
	G8R	40
SUPPORT & ACCESSORIES	G8R	41
	G8R-CP	42
SUPPORT & ACCESSORIES	G8R-CP	43
	G8RD	44
SUPPORT & ACCESSORIES	G8RD	45
	GIP 15-60 t	46
	GIP 100-400 t	47
	GIPD	48
SUPPORT & ACCESSORIES	GIP-GIPD	49

	G1T	52
	G2T	53
	G1G	54

SHEAR BEAM / DOUBLE SHEAR BEAM

COMPRESSION

TRACTION/ COMPRESSION



GUARANTEE, RMA AND CONDITIONS OF SALE

63 **GUARANTEE AND CONDITIONS OF SALE**

64 **RMA**

65 **CONDITIONS OF SALE**

GIROPES



G1M

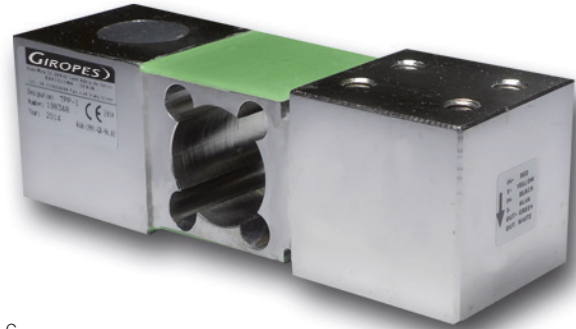
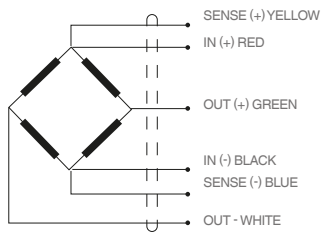
SINGLE CELL

50 kg



APPLICATIONS

Bench platform up to 600 x 600 mm.
Hopper weighing

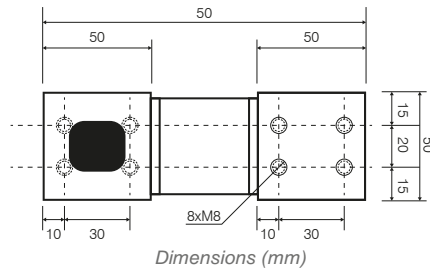
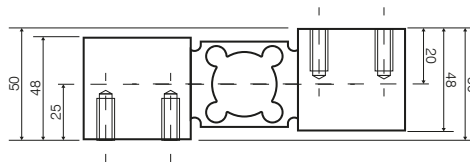


FEATURES

- Single load cell
- Shear beam load cell
- Stainless steel building
- 3000 divisions OIML R60 class c
- Direct assembly at platform
- High accuracy with off-center loads
- Low profile
- Measurement element from alloy steel
- Protected against humidity IP67 (en60529)

SPECIFICATIONS

Nominal capacities (Ln)	50 kg
Accuracy class	3000 n. OIML
Minimum dead load	0 %Ln
Service load	150 %Ln
Safe load limit	200 %Ln
Maximum combined error	0,017 %Sn
Repeatability error	0.015 %Sn
Temperature effect on zero	0.01 %Sn/5°C
Temperature effect on sensitivity	0.006 %Sn/5°C
Creep error	0.016 %Sn
Temperature compensation	-10.40 °C
Temperature limits	-20.50 °C
Nominal sensitivity	2±0.1% mV/V (2)
Nominal input voltage	10 V (2)
Maximum input voltage	15 V (2)
Input impedance	386±10% Ω
Output impedance	350±10% Ω
No load output(SN)	2 %Sn
Insulation resistance	> 5000 MΩ
Maximum deflection	0.2-0.6



CODE G1M

Reference	N. capacity - ln (kg)	Accuracy class n. OIML	y = emax / vmin	Code #
G1M-50	50	C3	12500	230610

G3M

SINGLE CELL

min 50 kg
max 200 kg

67 IP M

FEATURES

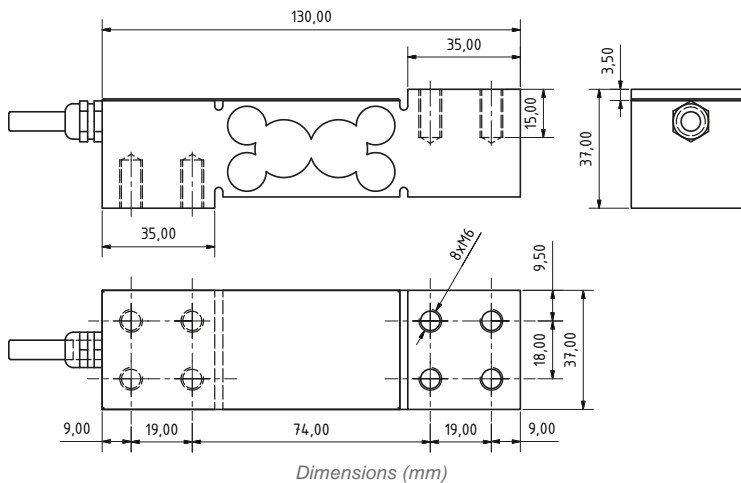
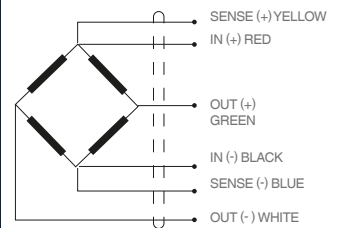
- Single load cell
- Shear beam load cell
- Stainless steel building
- 3000 divisions OIML R60 class C
- Direct assembly at platform
- High accuracy with off-center loads
- Low profile
- Measurement element from alloy steel
- Protected against humidity IP67 (EN60529)

SPECIFICATIONS

Nominal capacities (Ln)	50-75-100-150-200 kg
Accuracy class	3000 n. OIML
Minimum dead load	0 %Ln
Service load	150 %Ln
Safe load limit	200 %Ln
Maximum combined error	0,017 %Sn
Repeatability error	0.015 %Sn
Temperature effect on zero	0.01 %Sn/5°C
Temperature effect on sensitivity	0.006 %Sn/5°C
Creep error	0.016 %Sn
Temperature compensation	-10.40 °C
Temperature limits	-20.50 °C
Nominal sensitivity	2±0.1% mV/V (2)
Nominal input voltage	10 V (2)
Maximum input voltage	15 V (2)
Input impedance	386±10% Ω
Output impedance	350±10% Ω
No load output(SN)	2 %Sn
Insulation resistance	> 5000 MΩ
Maximum deflection	0.2-0.6

APPLICATIONS

Bench platform up to 500x500 mm.
Hopper weighing



CODE G3M

Reference	N. capacity - ln (kg)	Accuracy class n. OIML	y = emax / vmin	Code #
G3M-50	50	C3	9433	230620
G3M-75	75	C3	9433	230621
G3M-100	100	C3	9433	230622
G3M-150	150	C3	9433	230623
G3M-200	200	C3	9433	230624

G6MD

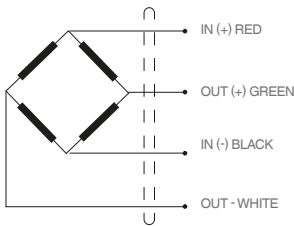
SINGLE CELL

min **2 kg**
max **5 kg**



APPLICATIONS

Bench platform up to 400x400 mm.

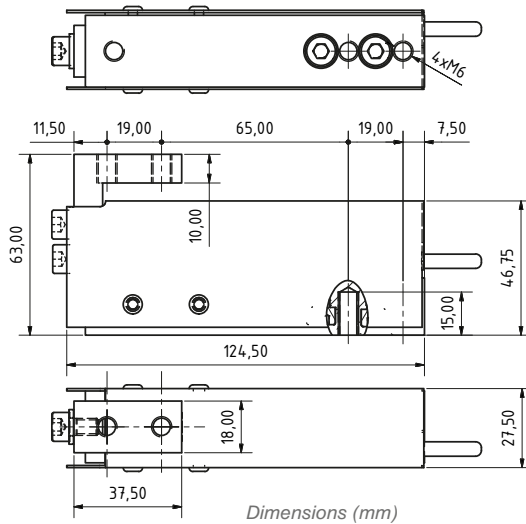


FEATURES

- Single load cell
- Shear beam load cell
- 3000 divisions OIML R60 class C
- Direct assembly at platform
- High accuracy with off-center loads
- Low profile
- Aluminum building
- Protected against humidity IP66 (EN60529)

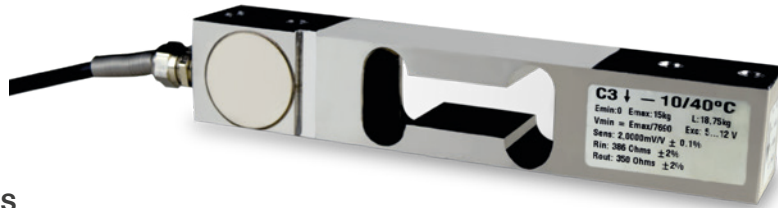
SPECIFICATIONS

Nominal capacities (Ln)	2 - 3 - 5 kg
Accuracy class	3000 n. OIML
Minimum dead load	0 %Ln
Service load	150 %Ln
Safe load limit	200 %Ln
Maximum combined error	<± 0,017 %Sn
Repeatability error	<± 0.015 %Sn
Temperature effect on zero	<± 0.01 %Sn/5°C
Temperature effect on sensitivity	<± 0.006 %Sn/5°C
Creep error	<± 0.016 %Sn
Temperature compensation	-10.40 °C
Temperature limits	-20.50 °C
Nominal sensitivity	2±0.1% mV/V (2)
Nominal input voltage	10 V
Maximum input voltage	15 V
Input impedance	400±10% Ω
Output impedance	350±10% Ω
No load output(SN)	< ±2 %Sn
Insulation resistance	> 5000 MΩ
Maximum deflection	0.2-0.4 mm
Cable lenght	5 m



CODE G6MD

Reference	N. capacity - Ln (kg)	Accuracy class n. OIML	y = emax / vmin	Code #
G6MD-2	2	3000	7690	230601
G6MD-3	3	3000	7690	230602
G6MD-5	5	3000	7690	230605

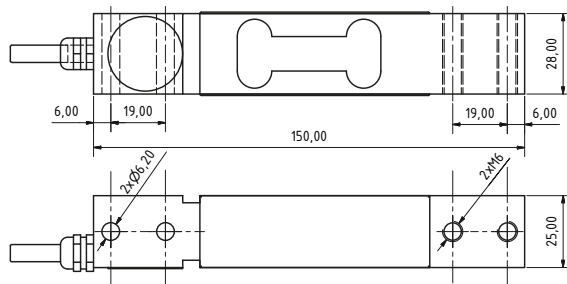


FEATURES

- Single load cell
- Shear beam load cell
- Low profile. Stainless steel building.
- 3000 divisions OIML R60 class C
- Direct assembly at platform.
- High accuracy with off-center loads. (It is necessary to add the thickness. Not included)
- Measurement element from alloy steel
- Protected against humidity IP66 (EN60529)

SPECIFICATIONS

Nominal capacities (Ln)	5-10-15-18-20-25-30-35-40 kg
Accuracy class	3000 n. OIML 6000 n. OIML
Minimum dead load	0 %Ln
Service load	150 %Ln
Safe load limit	200 %Ln
Maximum combined error	<± 0.017 %Sn
Repeatability error	<± 0.015 %Sn
Temperature effect on zero	<± 0.01 %Sn/5°C
Temperature effect on sensitivity	<± 0.006 %Sn/5°C
Creep error	<± 0.016 %Sn
Temperature compensation	-10.40 °C
Temperature limits	-20.50 °C
Nominal sensitivity	2±0.1% mV/V (2)
Nominal input voltage	10 V
Maximum input voltage	15 V
Input impedance	386±10% Ω
Output impedance	350±10% Ω
No load output(SN)	< ±2 %Sn
Insulation resistance	> 5000 MΩ
Maximum deflection	0.2-0.4 mm
Cable length	5 m



Dimensions (mm)

CODE G6M

Reference	N. capacity - ln (kg)	Accuracy class n. OIML	y = emax / vmin	Platform	Code #
G6M-5	5	3000	7690	400 x 300	230665
G6M-10	10	3000	7690	300 x 400	230666
G6M-15	15	3000	7690	400 x 400	230667
G6M-18	18	6000	11500	400 x 400	230668
G6M-20	20	6000	11500	400 x 400	230669
G6M-25	25	6000	11500	400 x 400	230670
G6M-30	30	6000	11500	400 x 400	230671
G6M-35	35	6000	11500	400 x 400	230672
G6M-40	40	6000	11500	400 x 400	230673

GIROPES



G6M

SINGLE CELL

min 5 kg
max 40 kg

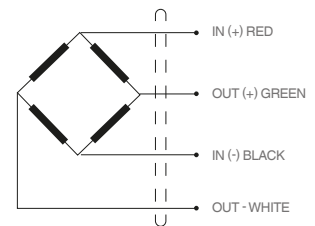


APPLICATIONS

Bench platform up to 400x400 mm.



ALLOWED FOR OFF-CENTER LOADS



L6D

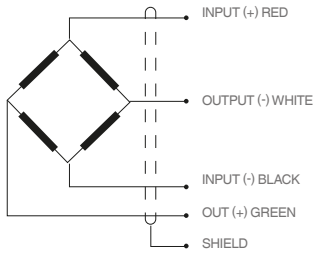
SINGLE CELL

min **3 kg**
max **50 kg**

M **65**
IP

APPLICATIONS

Bench platform up to
250x350 mm.
Pricing scales.
Counting scales

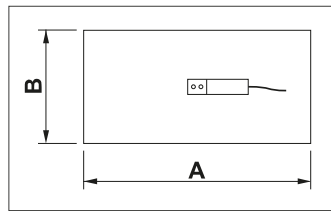
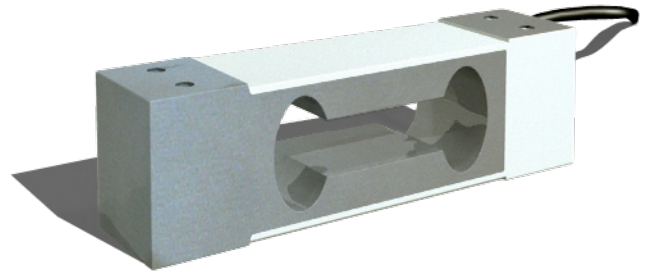


FEATURES

- Shear beam load cell
- Anodized aluminium construction, silicone sealing
- 3000 divisions OIML R60 class C
- Protection IP65
- High accuracy with off-center loads

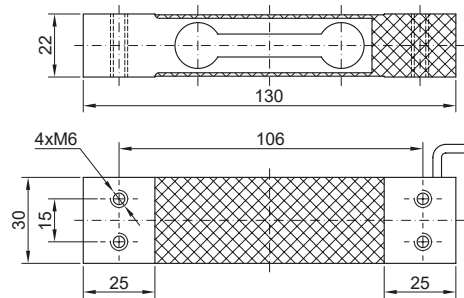
SPECIFICATIONS

Nominal capacities (Ln)	3-6-15- 20-30-50 kg
Accuracy class	C3
Maximum capacity	3-6-15-20-50 kg
Output sensitivity	2.0 ± 0.2 mV/V
Max number of load cell intervals	3000
Minimum dead load	0
Safe overload	150% Emax
Excitation recommended	10V
Excitation maximum	18V
Zero balance	≤±2 %RO
Input impedance	409±6 Ω
Output resistance	350±3.5 Ω
Insulation impedance	≥5000 MΩ
Temperature range compensated	-10/+40 °C
Temperature range operating	-35/+85 °C
Atmospheric protection	IP65
Maximum dimension for the platform	250x350 mm
Cable length	0,4 m



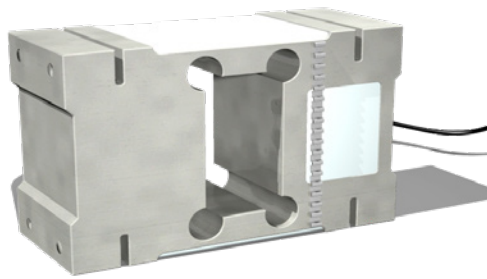
Dimensions platforms (mm)

Platform A x B
250 x 350



CODE L6D

Reference	N. capacity - ln (kg)	Accuracy class n. OIML	y = emax / vmin	Code #
CLL6D-3	3	C3	10000	230357
CLL6D-6	6	C3	10000	230358
CLL6D-15	15	C3	10000	230359
CLL6D-20	20	C3	10000	230360
CLL6D-30	30	C3	10000	230361
CLL6D-50	50	C3	10000	230363



GIROPES



L6F

SINGLE CELL

min 250 kg
max 750 kg



FEATURES

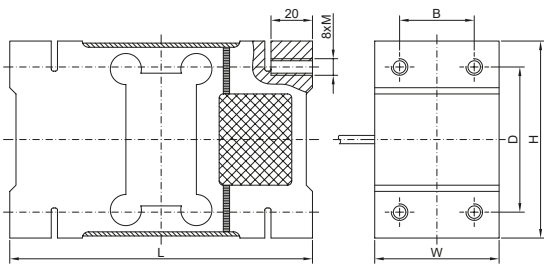
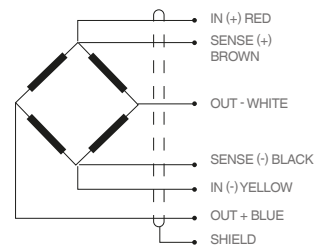
- Shear beam load cell
- Anodized aluminium construction, silicone sealing
- 3000 divisions OIML R60 class C
- Protection IP65
- High accuracy with off-center loads

SPECIFICATIONS

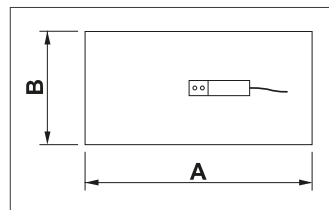
Nominal capacities (Ln)	250-500-750 kg
Accuracy class	C3 n. OIML
Output sensitivity	2.0 ± 0.2 mV/V
Maximum capacity	250-500-750 kg
Max number of load cell intervals	3000
Ratio of maximum capacity to min load cell verification interval	7000
Minimum dead load	0
Safe overload	150 % Emax
Excitation recommended	5 - 12 V
Excitation maximum	18 V
Zero balance	≤±2 % RO
Output resistance	409±6 Ω
Input impedance	350±3 Ω
Insulation impedance	≥5000 MΩ
Temperature range compensated	-10 - +40 °C
Temperature range operating	-35 - +65 °C
Atmospheric protection	IP65
Maximum dimension for the platform	600x800 (250-750 kg) mm 1200x1200 (750 kg) mm
Cable lenght	3 m

APPLICATIONS

- Bench platform up to 800 x 800 mm
- 1200 x 1200 mm
- Counting scale



Dimensions (mm)



Dimensions platforms (mm)

Type	N. capacity	l	w	h	d	b	m	Transport weight
a	250 - 750 kg	146	60	95	70	36	M12	2.5 kg
b	750 kg	176	76	125	95	46	M15	3 kg

Platform A x B	Code #
800 x 800 mm	230370 230371 230372 (a)
1200 x 1200 mm	230387 (b)

CODE L6F

Reference	N. capacity - ln (kg)	Accuracy class n. OIML	y = emax / vmin	Code #
L6F-250	250	C3	7000	230370
L6F-500	500	C3	7000	230371
L6F-750 (a)	750	C3	7000	230372
L6F-750 (b)	750	C3	7000	230387

L6E

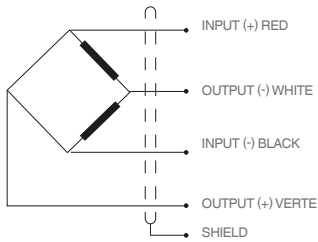
SINGLE CELL

min 60 kg
max 200 kg

M 65
IP

APPLICATIONS

Bench platform up to 400x400 mm.

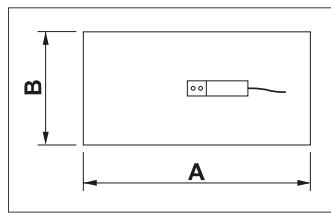
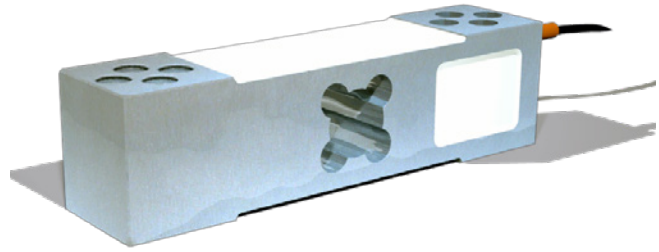


FEATURES

- Shear beam load cell
- Anodized aluminium construction, silicone sealing.
- 3000 divisions OIML R60 class C.
- Protection IP65.
- High accuracy with off-center loads.

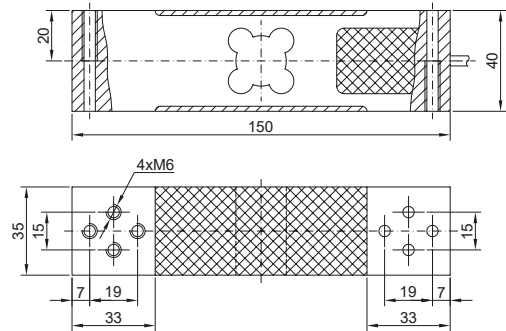
SPECIFICATIONS

Nominal capacities (Ln)	60-100-200 kg
Accuracy class	C3
Output sensitivity	2.0 ± 0.1mV/V
Max number of load cell intervals	3000
Minimum dead load	0
Safe overload	150% Emax
Excitation recommended	10 V
Excitation maximum	12 V
Zero balance	≤±2 % RO
Input impedance	406±6 Ω
Output resistance	350±3 Ω
Insulation impedance	≥5000 MΩ
Temperature range compensated	-10 - +40 °C
Temperature range operating	-30 - +80 °C
Atmospheric protection	IP65
Maximum dimension for the platform	400x400 mm
Cable length	2 m



Dimensions platforms (mm)

Platform A x B
400 x 400



Transport weight 0.8 kg | Dimensions (mm)

CODE L6E

Reference	N. capacity - ln (kg)	Accuracy class n. OIML	y = emax / vmin	Code #
L6E-60	60	C3	10000	230365
L6E-100	100	C3	10000	230366
L6E-200	200	C3	10000	230367

L6G

SINGLE CELL

min 100 kg
max 500 kg

65 IP M

FEATURES

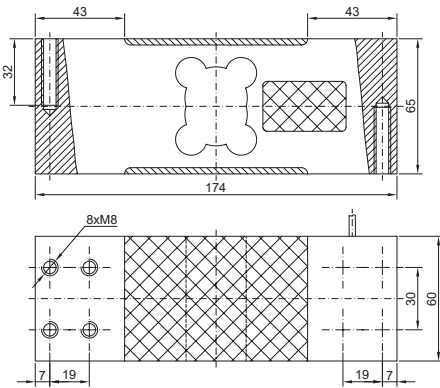
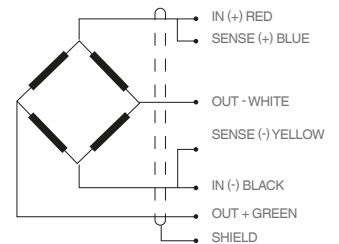
- Shear beam load cell.
- Anodized aluminium construction, silicone sealing.
- 3000 divisions OIML R60 class C.
- Protection IP65.
- High accuracy with off-center loads.

SPECIFICATIONS

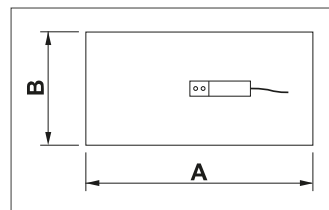
Nominal capacities (Ln)	100-200-500 kg
Accuracy class	C3
Output sensitivity	2.0 ± 0.2 mV/V
Maximum capacity	100-200-500 kg
Max number of load cell intervals	3000
Minimum dead load	0
Safe overload	150 % Emax
Excitation recommended	5 - 12 V
Excitation maximum	18 V
Zero balance	≤±2 % RO
Input impedance	409±6 Ω
Output resistance	350±3 Ω
Insulation impedance	≥5000 MΩ
Temperature range compensated	-10 - +40 °C
Temperature range operating	-35 - +65 °C
Atmospheric protection	IP65
Maximum dimension for the platform	600x600 mm ²
Cable length	3 m

APPLICATIONS

Bench platform up to
600 x 600 mm



Transport weight 1.8 kg | Dimensions (mm)



Dimensions platforms (mm)

Platform A x B
600 x 600

CODE L6G

Reference	N. capacity - In (kg)	Accuracy class n. OIML	y = emax / vmin	Code #
L6G-100	100	C3	12000	230373
L6G-200	200	C3	12000	230375
L6G-500	500	C3	12000	230378

G4M

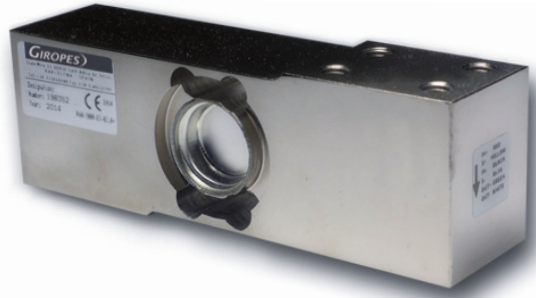
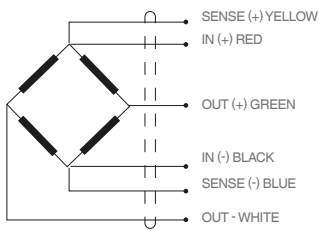
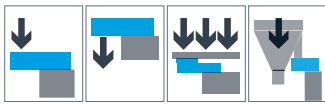
SINGLE CELL

min 100 kg
max 500 kg

M 69k
IP

APPLICATIONS

Bench platform up to 600 x 600 mm.

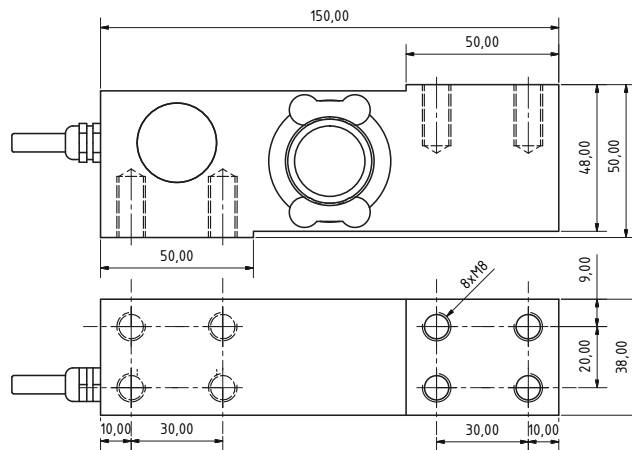


FEATURES

- Single load cell
- Shear beam load cell
- Stainless steel building
- 3000 divisions OIML R60 class C
- Direct assembly at platform
- High accuracy with off-center loads
- Low profile
- Measurement element from alloy steel
- Protected against humidity IP69k (EN60529)

SPECIFICATIONS

Nominal capacities (Ln)	100-150-200-300-360-500 kg
Accuracy class	3000 n. OIML
Minimum dead load	0 %Ln
Service load	150 %Ln
Safe load limit	200 %Ln
Maximum combined error	<± 0,017 %Sn
Repeatability error	<± 0.015 %Sn
Temperature effect on zero	0.01 %Sn/5°C
Temperature effect on sensitivity	0.006 %Sn/5°C
Creep error	0.016 %Sn
Temperature compensation	-10.40 °C
Temperature limits	-20.50 °C
Nominal sensitivity	2±0.1% mV/V (2)
Nominal input voltage	10 V
Maximum input voltage	18 V
Input impedance	386±2% Ω
Output impedance	350±10% Ω
No load output(SN)	< ±2 %Sn
Insulation resistance	> 5000 MΩ
Maximum deflection	0.2-0.5 mm



Dimensions (mm)

CODE G4M

Reference	N. capacity - Ln (kg)	Accuracy class n. OIML	y = emax / vmin	Code #
G4M-100	100	C3	10000	230615
G4M-150	150	C3	10000	230616
G4M-200	200	C3	10000	230617
G4M-300	300	C3	10000	230618
G4M-360	360	C3	10000	230721
G4M-500	500	C3	10000	230619

Load cells

SINGLE CELL, FLEXIONS, DOUBLE
SHEAR BEAM, COMPRESSION, TRACTION

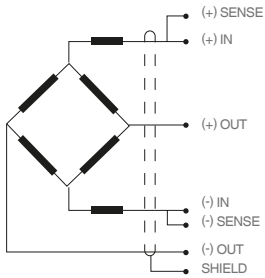


min 150kg
max 5.000kg

M 68
IP

APPLICATIONS

4 load cells platforms.
Reactors,
tanks and hopper weighing



CONEXIÓN	4-WIRES	6-WIRES
+IN	rojo	rojo
-IN	negro	negro
+OUT	verde	verde
-OUT	blanco	blanco
+SENSE	---	azul
-SENSE	---	amarillo
Shield		lila



FEATURES

Shear beam load cell

Versions:

G3S (0,15t): fully alloy steel construction. Sealed with silicone IP68

G3S (0,15t - 5t): fully alloy steel construction. Hermetically sealed completely welded IP68.

3000 divisiones OIML R60 class C.

Pre-corner adjustment optimized for multicell systems.

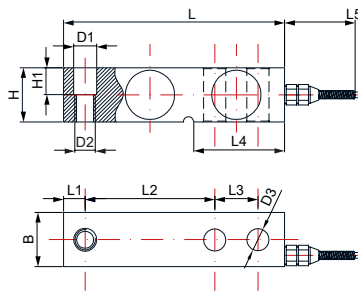
High accuracy on industrial applications:

4 load cells platforms.
tanks and hopper weighing.

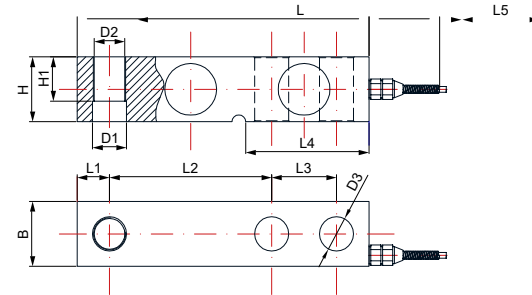
ESPECIFICACIONES

Carga nominal (Ln)	150-300-750-1500-2000-2500-3000-5000 kg
Clase de precisión	3000 n. OIML
Carga mínima	0 %Ln
Carga de servicio	150 %Ln
Cargas límite	200 %Ln
Compensación de la temperatura	-10±40 °C
Límites de temperatura	-20±70 °C
Sensibilidad nominal (Sn)	2mV/V (150-750 kg) 3 mV/V (1500-)
Tensión de alimentación recomendada	10 - 12 V
Resistencia de entrada	400±20 Ω
Resistencia de salida	352±3 Ω
Resistencia de aislamiento	> 5000 MΩ

LOAD CELL
G3S 150-2500 kg



LOAD CELL
G3IS 3000 -5000 kg



Dimensions (mm)

E _{max} mm	L	L1	L2	L3	L4	L5	H / B	H1	D1	D2	D3
1.0t-2.5t	130	12,7	76,2	25,4	53,5	42	31,8	20	Ø13	M12	Ø13
3.0t-5.0t	171,5	19	95,3	38,1	72,5	42	38,1	26	Ø20	M18x1,5	Ø20

CODE G3S

Reference	Nominal load - In (kg)	Accuracy class n. OIML	y = e _{max} / v _{min}	Code #
G3S-150	150	C3	10000	230056
G3S-300	300	C3	10000	230057
G3S-750	750	C3	10000	230058
G3S-1500	1500	C3	10000	230059
G3S-2000	2000	C3	10000	230060
G3S-2500	2500	C3	10000	230062
G3S-3000	3000	C3	10000	230064
G3S-5000	5000	C3	10000	230066

SHEAR

BEAM

min **300 kg**
 max **2.500 kg**

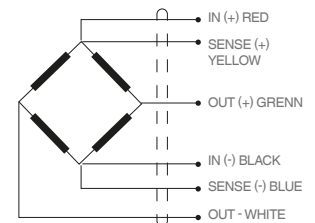
68

IP

M

APPLICATIONS

4 load cells platforms.
 Reactors,
 tanks and hopper weighing



ACCESSORIES

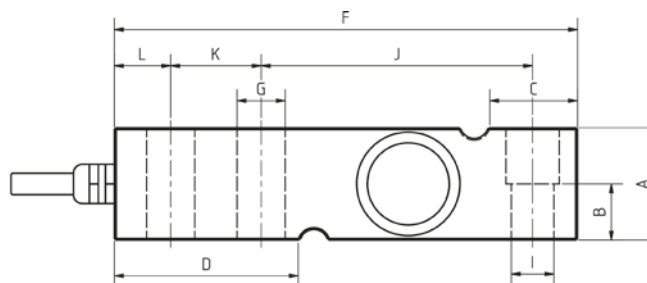
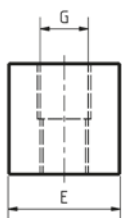
See page 22

FEATURES

- Shear beam load cell.
- Nickel-plated steel alloy.
- Hermetically sealed, laser welding.
- Protected against humidity IP68 (EN60529).

SPECIFICATIONS

Nominal capacities (Ln)	300-500-750-1000-1500-2000-2500 kg
Accuracy class	3000 n. OIML
Minimum dead load	0 %Ln
Service load	125 %Ln
Safe load limit	150 %Ln
Total error	0,7% N.L
Repeatability error	< ±0.015 %Sn
Temperature effect	< ±0.01 %Sn/5 °C
Temperature effect on zero of sensitivity	< ±0.006 %Sn/5 °C
Creep error (30 minutes)	< ±0.016 %Sn
Temperature range compensated	-10.. +40 °C
Temperature limits	-20...+70 °C
Nominal input voltage	5 a 12 V
Input impedance	383 Ω ± 1100 Ω ± 2 Ω
Output resistance	350 Ω ± 1000 Ω ± 2 Ω
Sensibilidad nominal (Sn)	2 mV/V
Insulation resistance	> 5000 MΩ
Cable length	5 m



Dimensions (mm)

Nominal capacities (Ln)	A	B	C	D	E	F	G	I	J	K	L
300-500-750-1000-1500-2000-2500	31,5	15,5	24,6	51,6	31,5	130	Ø13,5	M12	76,2	25,4	15,8

CODE G5N

Reference	Nominal load - ln (kg)	Accuracy class n. OIML	y = emax / vmin	Code #
G5N 0.30	300	C3	10000	230947
G5N 0.50	500	C3	10000	230948
G5N 0.75	750	C3	10000	230949
G5N 1.0	1000	C3	10000	230950
G5N 1.5	1500	C3	10000	230951
G5N 2.0	2000	C3	10000	230952
G5N 2.5	2500	C3	10000	230953

G5i

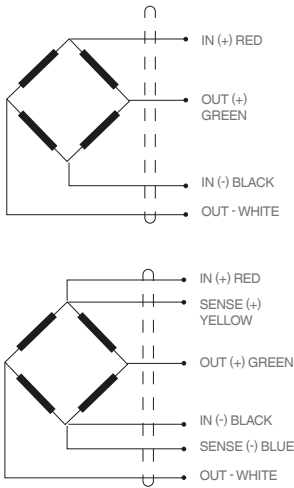
**SHEAR
BEAM**

min **300 kg**
max **7.500 kg**

M 69k
IP

APPLICATIONS

4 load cells platforms.
Reactors,
tanks and hopper weighing



ACCESSORIES

Consult page 22



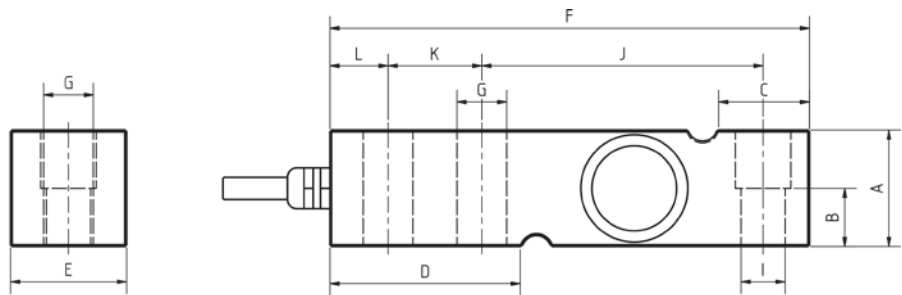
FEATURES

- Shear beam load cells
- 3000 divisions OIML R60 class C
- Fully Stainless steel construction
- Hermetically sealed, Laser welding
- Measurement element from stainless steel
- Protected against humidity IP69k (EN60529)

SPECIFICATIONS

Nominal capacities (Ln)	300-500-750-1000-1500-2000-2500-3000-5000-7500 kg
Accuracy class	C3 n. OIML
Minimum dead load	0 %Ln
Service load	125 %Ln
Safe load limit	150 %Ln
Total error	0,7% N.L
Repeatability error	< ±0.015 %Sn
Temperature effect	< ±0.01 %Sn/5 °C
Temperature effect on zero of sensitivity	< ±0.006 %Sn/5 °C
Creep error (30 minutes)	< ±0.016 %Sn
Temperature range compensated	-10.. +40 °C
Temperature limits	-20...+70 °C
Nominal input voltage	18 V
Input impedance	383 Ω ó 1100 Ω
Output resistance	350±5 Ω
Nominal sensitivity (Sn)	2 mV/V ±1%
Insulation resistance	> 5000 MΩ
Cable length	5 m

LOAD CELL G5i



Dimensions (mm)

N. capacity kg	A	B	C	D	E	F	G	I	J	K	L
300-500-750-1000-1500-2000-2500	31.5	15.5	24.6	51.6	31.5	130	13.5	M12	76.2	25.4	15.8
3000-5000-7500	38.1	12	--	72	38.1	171.5	20	M18	95.4	38.1	19

CODE G5i

Reference	N. capacity - ln (Kg)	Accuracy class n. OIML	y = emax / vmin	Code #
G5i 0.30	300	C3	10000	230828
G5i 0.50	500	C3	10000	230829
G5i 0.75	750	C3	10000	230830
G5i 1.0	1000	C3	10000	230831
G5i 1.5	1500	C3	10000	230832
G5i 2.0	2000	C3	10000	230833
G5i 2.5	2500	C3	10000	230834
G5i 3.0	3000	C3	10000	230835
G5i 5.0	5000	C3	10000	230836
G5i 7.5	7500	C3	10000	230837



FEATURES

- Option T for G5i
- Shear beam load cells
- 3000 divisions OIML R60 class C
- Fully Stainless steel construction
- Hermetically sealed, Laser welding
- Measurement element from stainless steel
- Protected against humidity IP69k (EN60529)

SPECIFICATIONS

Nominal capacities (Ln)	300-500-750-1000-1500-2000-2500
Accuracy class	C3 n. OIML
Minimum dead load	0 %Ln
Service load	125 %Ln
Safe load limit	150 %Ln
Total error	0,7% N.L
Repeatability error	< ±0.015 %Sn
Temperature effect	< ±0.01 %Sn/5 °C
Temperature effect on zero of sensitivity	< ±0.006 %Sn/5 °C
Creep error (30 minutes)	< ±0.016 %Sn
Temperature range compensated	-10.. +40 °C
Temperature limits	-20...+70 °C
Nominal input voltage	18 V
Input impedance	383 Ω ó 1100 Ω
Output resistance	350±5 Ω
Nominal sensitivity (Sn)	2 mV/V ±1%
Insulation resistance	> 5000 MΩ
Cable length	5 m

GIROPES



G5Ti

SHEAR

BEAM

min **300 kg**
max **2.500 kg**

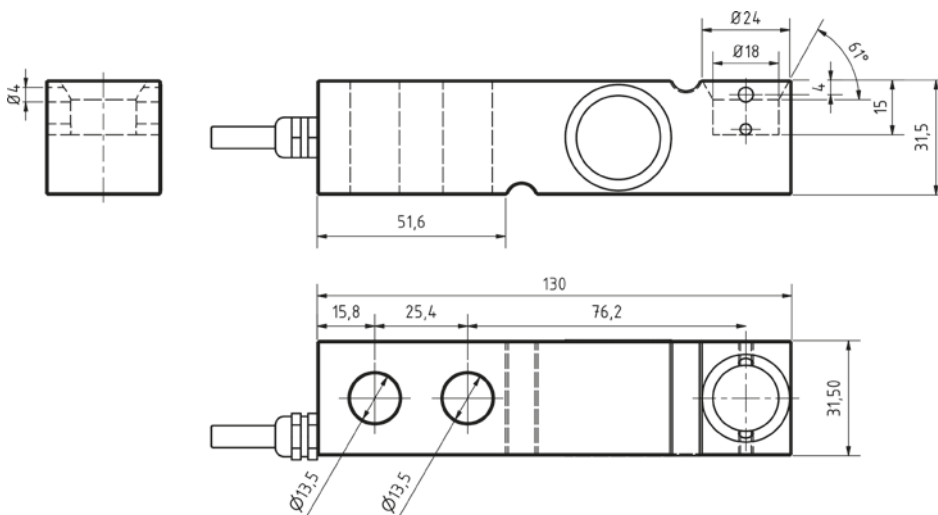


APPLICATIONS

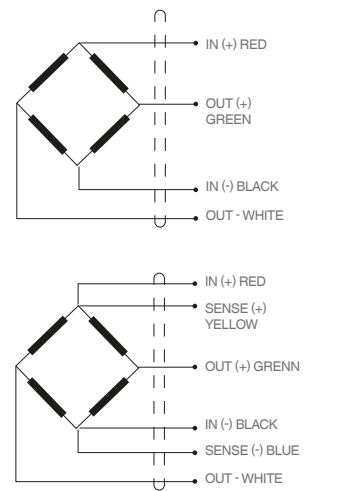
4 load cells platforms.
Reactors,
tanks and hopper weighing



LOAD CELL G5Ti



Dimensions (mm)

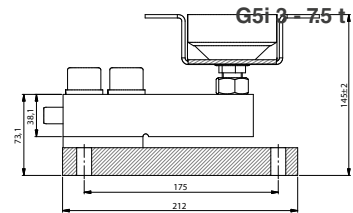
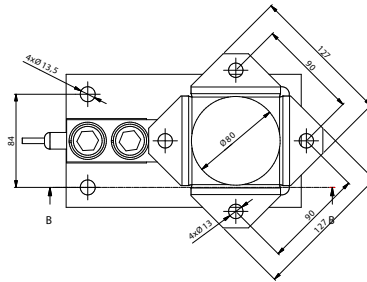
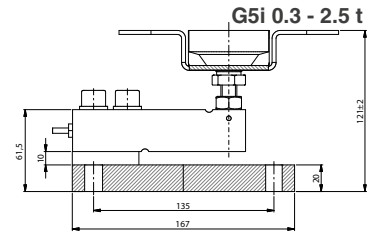
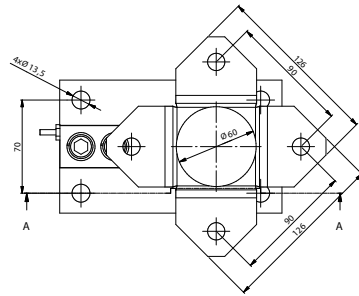
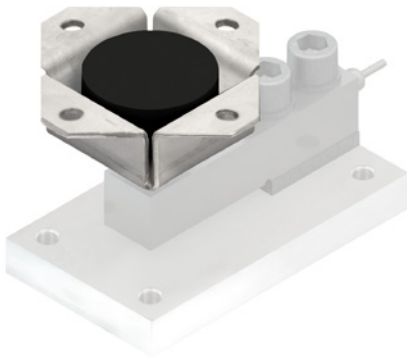


ACCESSORIES

Consult page 22

CODE G5Ti

Reference	N. capacity - ln (Kg)	Accuracy class n. OIML	y = emax / vmin	Code #
G5Ti 0.30	300	C3	10000	230843
G5Ti 0.50	500	C3	10000	230844
G5Ti 0.75	750	C3	10000	230845
G5Ti 1.0	1000	C3	10000	230846
G5Ti 1.5	1500	C3	10000	230847
G5Ti 2.0	2000	C3	10000	230848
G5Ti 2.5	2500	C3	10000	230849



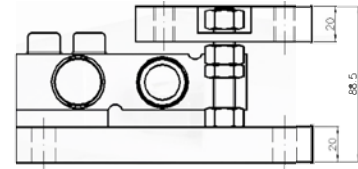
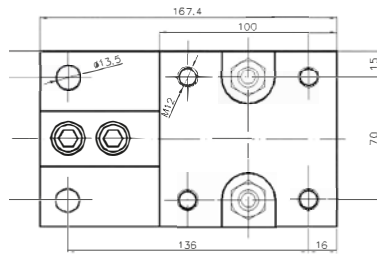
Dimensions (mm)

G5I
G5N

ADJUSTABLE LIFT-OFF
PREVENTION TOP
PLATE

Load cells	Accessory			
	Finished	Code #	Foot	Code #
0.3 - 2.5 t	Stainless steel	240514	AC90011	240064
3 - 7.5 t	Stainless steel	420515	AC90012	240065

* To use the accessory, the load cell foot indicated in the table is necessary



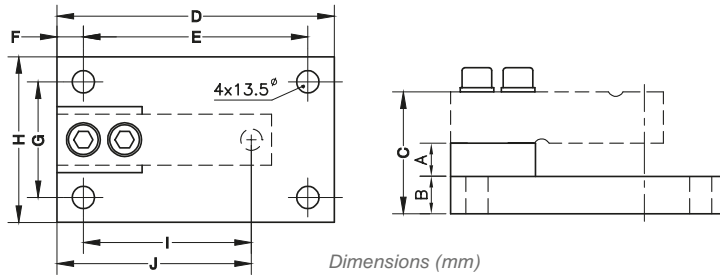
Dimensions (mm)

Ref	#Code	N. capacity	Transport weight	Load cell fastening
AC35902 / AC35902i	240012 / 240013	0.3 - 2 t	5 kg	2 x 20,4
AC35903 / AC35903i	240014 / 240015	3 - 5 t	10 kg	2 x 21,5

G5I
G5N

MOUNTING KIT
LIFT-OFF
PREVENTION

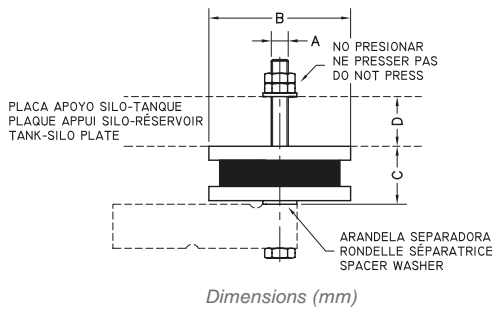
Load cells	Finished			
	Zinc-plated steel	Code #	Stainless steel	Code #
0.3 - 2 t	AC35902	240152	AC35902i	240153
2 - 7.5 t	AC35903	240157	AC35903i	240158



Ref	Code #	N. capacity	Transport weight	Load cell fastening	A	B	C	D	E	F	G	H	I	J
AC35911/ AC35911i	240020 / 240021	0.3 - 2 t	3.2 kg	2 x 20,4	20	20	71.5	168	136	16	70	100	101.6	117.6
AC35912/ AC35912i	240022 / 240023	3 - 5 t	6.5 kg	2 x 21,5	20	30	98	212	175	19	84	120	133.3	152.3

Finished				
Load cells	Zinc-plated steel	Code #	Stainless steel	Code#
0.3 - 2 t	AC35911	240020	AC35911i	240021
3 - 5 t	AC35912	240022	AC35912i	240023

BASE PLATE **G5I G5N**

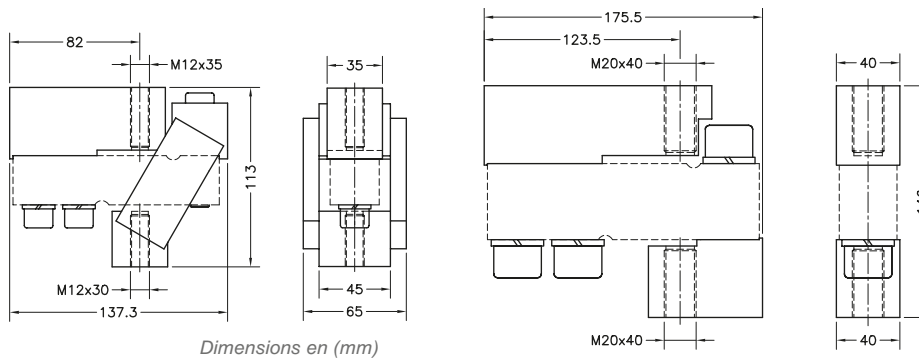


Ref	Code #	N. capacity	Transport weight	A	BØ	C	D
AC35909 / AC35909i	240016 / 240017	0.3 - 2 t	2 kg	M12	100	41	0 - 35
AC35910 / AC35910i	240018 / 240019	3 - 5 t	3,2 kg	M20	150	44	10 - 35

Finished				
Load cells	Zinc-plated steel	Code #	Stainless steel	Code #
G5i 0.3 - 2 t	AC35909 (0.3 - 2 t)	240016	AC35909i (0.3 - 2t)	240017
G5i 3 - 5 t	AC35910 (3 - 5 t)	240018	AC35910i (3 - 5 t)	240019



SILENT-BLOCK **G5I G5N**



Accesorios	N. capacity	Carga límite	Peso transporte
AC35907	0.3 - 2 t	0.3 - 2 t	5 kg
AC35908	3 - 5 t	3 - 5 t	10 kg

Tension accessories on zinc-plated steel, load cells G5i		
Load cells	Zinc-plated steel	Code #
0.3 - 2 t	AC35907	240115
3 - 5 t	AC35908	240155

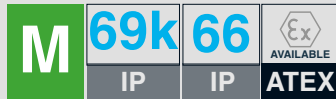


FOR TRACTION **G5I G5N**

G35

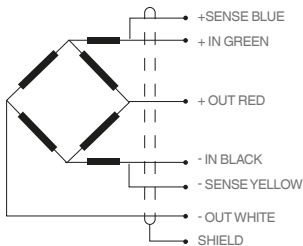
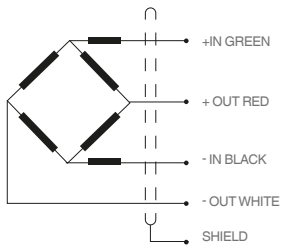
SHEAR BEAM

min 300 kg
max 5.000 kg



APPLICATIONS

4 load cells platforms.
Reactors,
tanks and hopper weighing.



FEATURES

Shear beam load cells

Versions

G35i (300 - 5000 kg) Fully stainless steel.
Hermetically sealed, fully welded, completamente soldada,
IP69k (EN 60529)

G35a (300 - 5000 kg) stainless steel building.
Silicone sealing, IP66 (EN 60529)

G35n (300 - 2000 kg) construcción en Nickel-plated steel.
Silicone sealing, IP66 (EN 60529).

3000 divisions OIML R60 class C.

Pre-corner adjustment optimized for multicell systems

Available in ATEX version (Ex) (optional)

Zona 0-1-2 (gas) and 20-21-22 (dust)



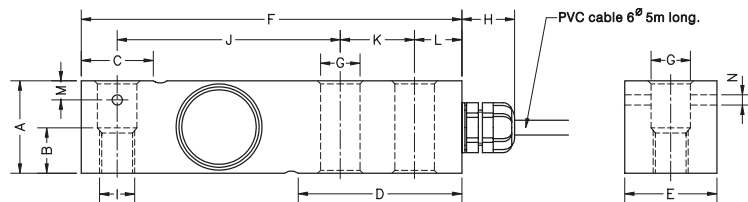
SPECIFICATIONS

Nominal capacities (Ln)	300-500-750-1000-1500-2000-3000-5000 kg
Accuracy class	3000 n. OIML
Minimum dead load	0 %Ln
Service Load	150 %Ln
Safe load limit	200 %Ln
Total error	<±0.017 %Sn (1)
Repeatability error	<±0.015 %Sn
Temperature effect on zero	<±0.01 %Sn/5°k
Temperature effect on sensitivity	<±0.006 %Sn/5°k
Creep error (30 minutes)	<±0.016 %Sn
Temperature compensation	-10 - +40 °C
Temperature limits	-20 - +70 °C
Nominal sensitivity (Sn)	2 mV/V (2)
Nominal input voltage	10 V
Maximum input voltage	15 V
Input impedance	400±20 Ω
Output resistance	350±3 Ω
No load output	< ±2 %Sn
Insulation resistance	> 5000 MΩ
Maximum deflection	0.2-0.4

(1) Total error Non-linearity and hysteresis. (2) Pre-corner adjustment optimized at ±0.05% by output current calibration.

Cable length 5 m

Mod. G35i/a (300...5000kg) Mod. G35n (300...2000kg)



Dimensions (mm)

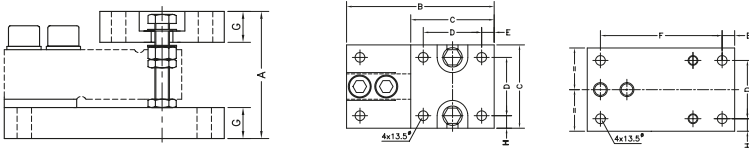
N. capacity kg	Transport weight	A	B	C	D	E	F	GØ	H	I	J	K	L	M	NØ
300-500-750-1000-1500-2000	0.9 kg	31.5	15	24.6	56	31.5	130	13.5	18	M12	76.2	25.4	15.8	6.5	3.5
3000-5000 kg	2.2 kg	48	---	37	76	41.5	171.5	20.5	18	---	95.2	38.1	19	---	---

CODE G35

Nominal capacity - In (kg)	Accuracy class n.OIML	y = emax / vmin	CODE G35	G35i	G35a	G35n
			Code # (i)	Code # (a)	Code # (n)	
300	C3	10000	230225		230247	230255
500	C3	10000	230227		230248	230256
750	C3	10000	230230		230249	230257
1000	C3	10000	230232		230250	230258
1500	C3	10000	230235		230251	230259
2000	C3	10000	230238		230252	230260
3000	C3	10000	230242		230253	-
5000	C3	10000	230245		230254	-

ACCESSORIES

Ref	Description	Code #
350 ATEX	Option ATEX (version "i" only)	-



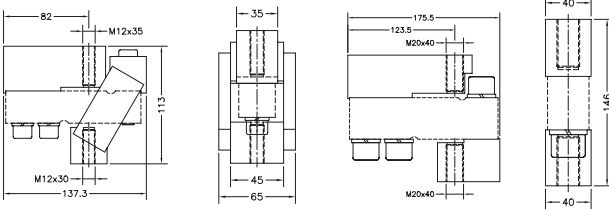
Ref	Code #	N. capacity	Transport weight	A	B	C	D	E	F	G	H
AC35902 / AC35902i	240012 / 240013	0.3 - 2 t	5 kg	94	168	100	70	16	136	20	15
AC35903 / AC35903i	240014 / 240015	3 - 5 t	10 kg	123	212	120	84	18	175	30	18

Finished

Load cells	Zinc-plated steel	Code #	stainless steel	Code #
G35 0.3 - 2 t	AC35902	240012	AC35902i	240013
G35 3 - 5 t	AC35903	240014	AC35903i	240015



MOUNTING KIT LIFT-OFF PREVENTION



Accessory	N. capacity	Safe load limit	transport weight
AC35907	0.3 - 2 t	0.3 - 2 t	5 kg
AC35908	3 - 5 t	3 - 5 t	10 kg

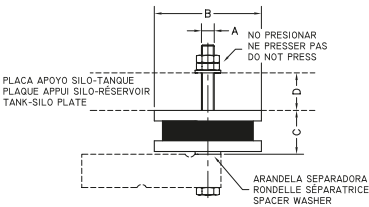


FOR TRACTION

G35

Tension accessories on zinc-plated steel, load cells G35

Load cells	Zinc-plated steel	Code #
G35 0.3 - 2 t	AC35907	240115
G35 3 - 5 t	AC35908	240155



Ref	Code #	N. capacity	Transport weight	A	BØ	C	D
AC35909 / AC35909i	240016 / 240017	0.3 - 2 t	2 kg	M12	100	41	0 - 35
AC35910 / AC35910i	240018 / 240019	3 - 5 t	3,2 kg	M20	150	44	10 - 35

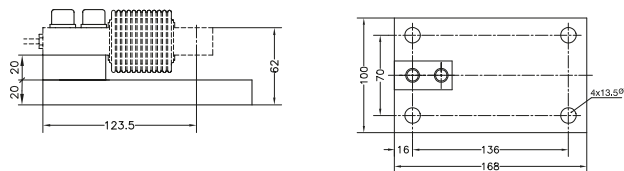
Finished

Load cells	Zinc-plated steel	Code #	stainless steel	Code #
G35 0.3 - 2 t	AC35909	240016	AC35909i	240017
G35 3 - 5 t	AC35910	240018	AC35910i	240019



SILENT-BLOCK

G35



Ref	Code #	N. capacity	Transport weight	A	B	C	D	E	F	G	H	I	J	H
AC35911/ AC35911i	240020 / 240021	0.3 - 2 t	3.2 kg	20	20	71.5	168	136	16	70	100	101.6	117.6	15
AC35912/ AC35912i	240022 / 240023	3 - 5 t	6.5 kg	20	30	98	212	175	19	84	120	133.3	152.3	18

Finished

Load cells	Zinc-plated steel	Code #	stainless steel	Code #
G35 0.3 - 2 t	AC35911	240020	AC35911i	240021
G35 3 - 5 t	AC35912	240022	AC35912i	240023



BASE PLATE

G35

H8C

SHEAR

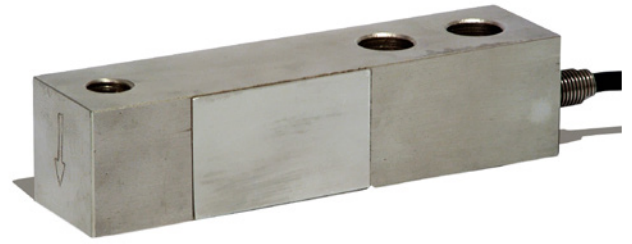
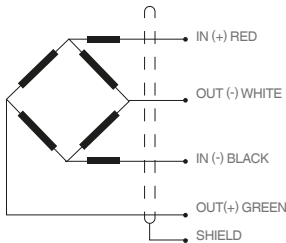
BEAM

min **500 kg**
max **5.000 kg**



APPLICATIONS

4 load cells platforms.
Tanks and hopper weighing.

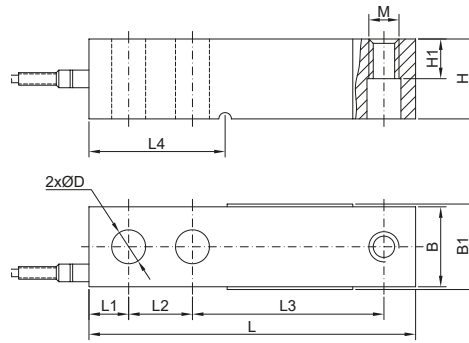


FEATURES

- Bending beam load cell.
- Shear beam load cell.
- Nickel-plated steel alloy.
- divisions OIML R60 class C.
- Silicone sealing.
- Protection IP67.

SPECIFICATIONS

Nominal capacities (Ln)	500-1000-1500-2000-3000-5000 kg
Accuracy class according to OIML R60	C3
Output sensitivity	3.0 ± 0.003 mV/V
Maximum capacity	500-1000-1500-2000-3000-5000 kg
Max number of load cell intervals	3000
Ratio of maximum capacity to min load cell verification interval	10000 -7000
Minimum dead load	0
Safe overload	120 % Emax
Excitation recommended	10 V
Excitation maximum	15 V
Zero balance	≤ ± 1 % RO
Input resistance	350 ± 3.5 Ω
Output resistance	350 ± 3.5 Ω
Insulation impedance	≥5000 Ω
Temperature range compensated	-10 - ±0 +40 °C
Temperature range operating	-30 - +80 °C -30 - +80 °C
Cable lenght	5 m



Dimensions (mm)

Nominal load kg	Transport weight	L	L1	L2	L3	L4	H	H1	B	B1	Ø D	M
500-1500	1 kg	130	15.8	25.4	76.2	54.2	31.8	15.8	31.8	34	13.5	M12
3000	2.5 kg	171.5	19.1	38.71	95.3	77.2	38.1	18.8	38.1	40	19.8	M18

CODE H8C

Reference	Nominal capacity - ln (kg)	Accuracy class n. OIML	y = emax / vmin	Code #
H8C-500	500	C3	10000	230339
H8C-1000	1000	C3	10000	230340
H8C-1500	1500	C3	10000	230341
H8C-2000	2000	C3	10000	230342
H8C-3000	3000	C3	10000	230343
H8C-5000	5000	C3	10000	230344

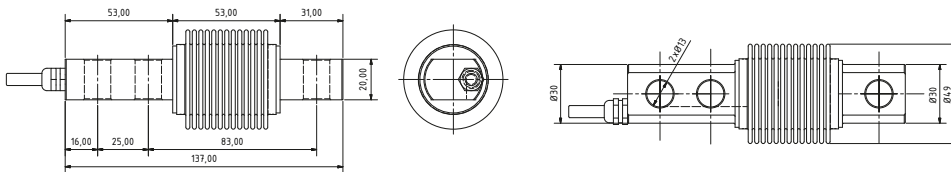
FEATURES

- Shear beam load cell/shear beam
- 4000 divisions OIML R60 class C
- Fully construction stainless steel
- Hermetically sealed, Laser welding
- Measurement element from alloy steel
- Protected against humidity IP69k (EN60529)



SPECIFICATIONS

Nominal capacities (Ln)	50-75-100-150-200-300
Accuracy class	3000
Minimum dead load	0 %Ln
Service load	150 %Ln
Safe load limit	200 %Ln
Maximum combined error	<±0.017 %Sn
Repeatability error	<±0.015 %Sn
Temperature effect on zero	<±0.01 %Sn/5°C
Temperature effect on sensitivity	<±0.006 %Sn/5°C
Creep error	<±0.016 %Sn
Temperature compensation	-10..40 °C
Temperature limits	-20...50 °C
Nominal sensitivity	2±0.1% mV/V (2)
Nominal input voltage	10 V
Maximum input voltage	15 V
Input impedance	386±10% Ω
Output impedance	350±10% Ω
No load output(SN)	< ±2 %Sn
Insulation resistance	> 5000
Maximum deflection	0.2-0.4



Dimensions (mm)

CODE G1I

Reference	N. capacity - ln (kg)	Accuracy class n. OIML	y = emax / vmin	Code #
G1i50	50	C4	9000	230640
G1i75	75	C4	9000	230641
G1i100	100	C4	9000	230642
G1i150	150	C4	9000	230643
G1i200	200	C4	9000	230644
✘ G1i300	300	C4	9000	230689
✘ G1i500	500	C4	9000	230690
✘ G1i750	750	C4	9000	230691
✘ G1i1000	1000	C4	9000	230692
✘ G1i1500	1500	C4	9000	230693

Accessories (Available load feet Consult page 59)

ACCESSORIES G1I

Reference	Description	Code #
-	Tension accessories (15 - 300kg)	240471
-	Tension accessories (500 - 1000kg)	240472
-	Silent-block bearing (15 - 300kg)	240467
-	Silent-block bearing (500kg)	240468
-	Silent-block bearing (750 - 1000kg)	240469
-	Base plate, steel zinc-plated	240473
-	Base plate, stainless steel	240474
-	Mounting kit lift-off prevention zinc-plated	240475
-	Mounting kit lift-off prevention stainless steel	240476

GIROPES



G1i

SHEAR

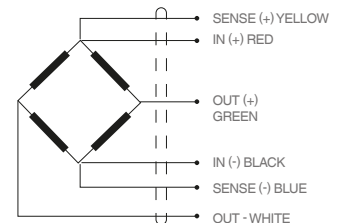
BEAM

min 50 kg
max 1.500 kg

69k M
IP

APPLICATIONS

- Hybrid scales
- Fully electronic scales
- Silos – Hopper weighing – Tanks
- 4 load cells platforms
- Industrial environment



ACCESSORIES



G1i

TENSION ACCESSORIES



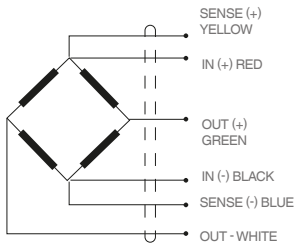
SILENT-BLOCK BASE PLATE

min **10 kg**
max **300 kg**

M **68**
IP

APPLICATIONS

Hybrid scales
Fully electronic scales
Silos – Hopper weighing – Tanks
4 load cells platforms
Industrial environment

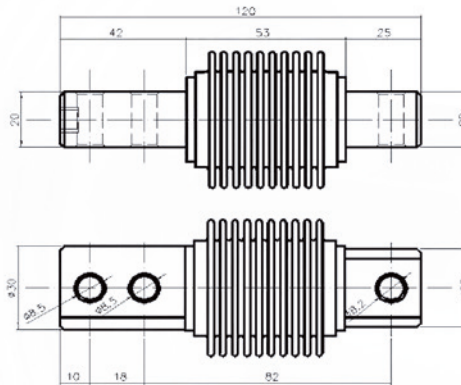


FEATURES

- Shear beam load cell
- Stainless steel building
- 3000 divisions OIML R60 class C
- Hermetically sealed, Laser welding
- Measurement element from alloy steel
- Protected against humidity IP68 (EN60529)

SPECIFICATIONS

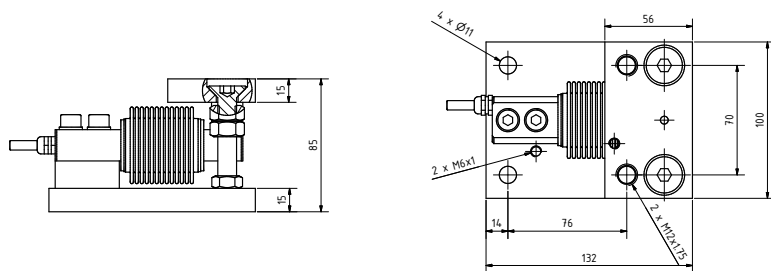
Nominal capacities (Ln)	10-15-30-50-75-100-150-250-300 kg
Accuracy class	4000 n. OIML
Minimum dead load	0 %Ln
Service load	150 %Ln
Safe load limit	200 %Ln
Maximum combined error	<±0.013 %Sn
Repeatability error	<±0.01 %Sn
Temperature effect on zero	<±0.01 %Sn/5°C
Temperature effect on sensitivity	<±0.006 %Sn/5°C
Creep error	<±0.012 %Sn
Temperature compensation	-10.40 °C
Temperature limits	-20.50 °C
Nominal sensitivity	2±0.1% mV/V (2)
Nominal input voltage	10 V
Maximum input voltage	15 V
Input impedance	386±10% Ω
Output impedance	350±10% Ω
No load output(SN)	< ±2 %Sn
Insulation resistance	> 5000 MΩ
Maximum deflection	0.2-0.4 mm



Dimensions (mm)

CODE G2I

Reference	N. capacity - ln (kg)	Accuracy class n. OIML	y = emax / vmin	Code #
☒ G2i 10	10	C4	9000	230596
☒ G2i 15	15	C4	9000	230595
☒ G2i 30	30	C4	9000	230588
G2i 50	50	C4	9000	230589
G2i 75	75	C4	9000	230590
G2i 100	100	C4	9000	230591
G2i 150	150	C4	9000	230592
☒ G2i 250	250	C4	9000	230593
☒ G2i 300	300	C4	9000	230594

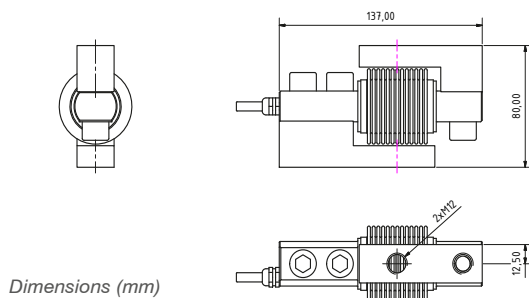


Dimensions (mm)

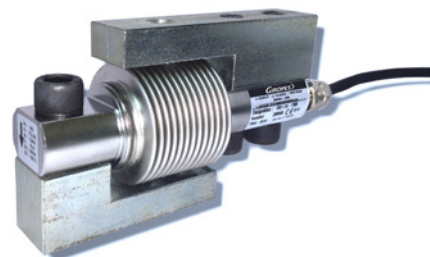
Reference	Description	Code #
-	Mounting kit lift-off prevention zinc-plated	240479
-	Mounting kit lift-off prevention stainless steel	240480

MOUNTING KIT LIFT-OFF PREVENTION

G2I



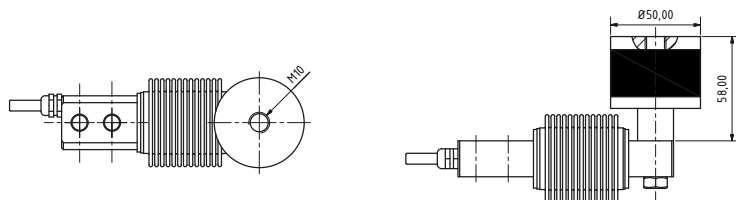
Dimensions (mm)



Reference	Description	N. capacity (kg)	Code #
-	Tensions accessories G34 load cell.	15-300	240154
-	Rod ends for tension M12		240444

TENSION ACCESSORIES

G2I



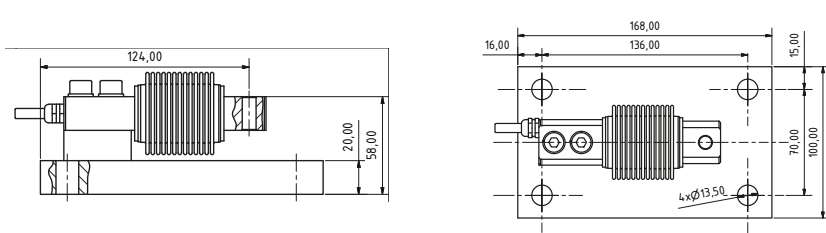
Dimensions (mm)



SILENT-BLOCK

G2I

Reference	Description	Code #
-	Silent Block	240470



Dimensions (mm)



BASE PLATE

G2I

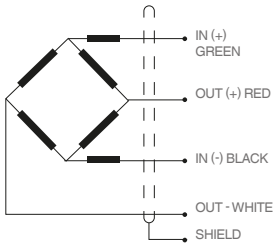
Reference	Description	Code #
-	Base plate, steel zinc-plated	240477
-	Base plate, stainless steel	240478

min 15 kg
max 1.500 kg



APPLICATIONS

4 load cells platforms
Tanks
Hopper weighing



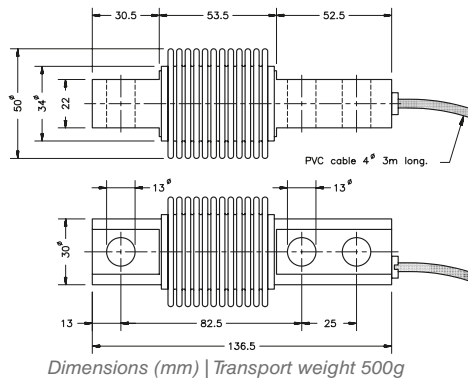
FEATURES

- Bending beam load cell.
- Shear beam load cell.
- Fully stainless steel.
- 3000 divisions OIML R60 class C.
- Hermetically sealed, fully welded.
- Protection IP68 (EN 60529).
- Available in ATEX version (Ex) (optional).
- Zone 0-1-2 (gas) and 20-21-22 (dust).



SPECIFICATIONS

Nominal capacities (Ln)	15-30-50-75-100-150-200-250
Accuracy class	3000 n. OIML
Minimum dead load	0 %Ln
Service load	150 %Ln
Safe load limit	200 %Ln
Total error	<±0.017 %Sn (1) (3)
Repeatability error	<±0.015 %Sn
Temperature effect on zero	<±0.01 %Sn/5°k
Temperature effect on sensitivity	<±0.006 %Sn/5°k
Creep error (30 minutes)	<±0.016 %Sn
Temperature compensation	-10 - +40 °C
Temperature limits	-30 - +70 °C
Nominal sensitivity (Sn)	2±0.1% mV/V (2)
Nominal input voltage	10 V
Maximum input voltage	15 V
Input impedance	400±20
Output resistance	350±3
No load output	< ±2
Insulation resistance	> 5000
Maximum deflection	0.2-0.4
Cable length	3 m



CODE G34

Reference	Nominal capacity - Ln (kg)	Accuracy class n. OIML	y = emax / vmin	Code #
G34 -15	15	C3	10000	230705
G34 -30	30	C3	10000	230304
G34 -50	50	C3	10000	230305
G34 -75	75	C3	10000	230306
G34 -100	100	C3	10000	230307
G34 -150	150	C3	10000	230308
G34 -200	200	C3	10000	230309
G34 -250	250	C3	10000	230311
G34 -300	300	C3	10000	230312
☒ G34 -500	500	C3	10000	230313
☒ G34 -750	750	C3	10000	230314
☒ G34 -1000	1000	C3	10000	230315
☒ G34 -1500	1500	C3	10000	230316

ACCESSORIES

Ref	Description	Code #
340ATEX	ATEX option	-

GTH

SHEAR

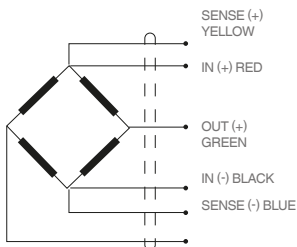
BEAM

min 5.000 kg
max 50.000 kg

M **68**
IP

APPLICATIONS

Tanks.
Silos and Low profile.

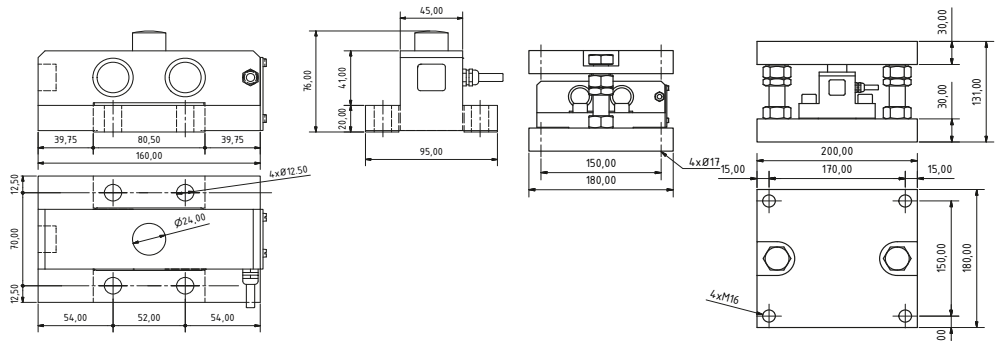


FEATURES

- Compression load cell
- Double shear beam load cell
- 3000 divisions OIML R60 class C
- Fully Stainless steel construction
- Hermetically sealed laser welded
- Measurement element from alloy steel
- Protected against atmospheric discharges with surge arresters
- Protected against corrosion by nickel plated treatment
- Protected against humidity IP68 (EN60529)

SPECIFICATIONS

Nominal capacities (Ln)	5000-10000-15000-20000-25000-30000-35000-50000 kg
Accuracy class	3000 n. OIML
Minimum dead load	0 %Ln
Service load	150 %Ln
Safe load limit	200 %Ln
Maximum combined error	<±0.017 %Sn
Repeatability error	<±0.015 %Sn
Temperature effect on zero	<±0.01 %Sn/5°C
Temperature effect on sensitivity	<±0.006 %Sn/5°C
Creep error	<±0.016 %Sn
Temperature compensation	-10.40 °C
Temperature limits	-20.50 °C
Nominal sensitivity	2±0.1% mV/V (2)
Nominal input voltage	10 V
Maximum input voltage	15 V
Input impedance	766±10% Ω
Output impedance	700±10% Ω
No load output(SN)	< ±2 %Sn
Insulation resistance	> 5000 MΩ
Maximum deflection	0.2-0.4 mm

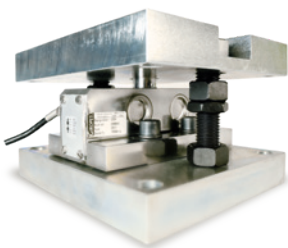


Load cell dimensions (mm)

Accessory dimensions GTH (mm)

ACCESSORIES

GTH



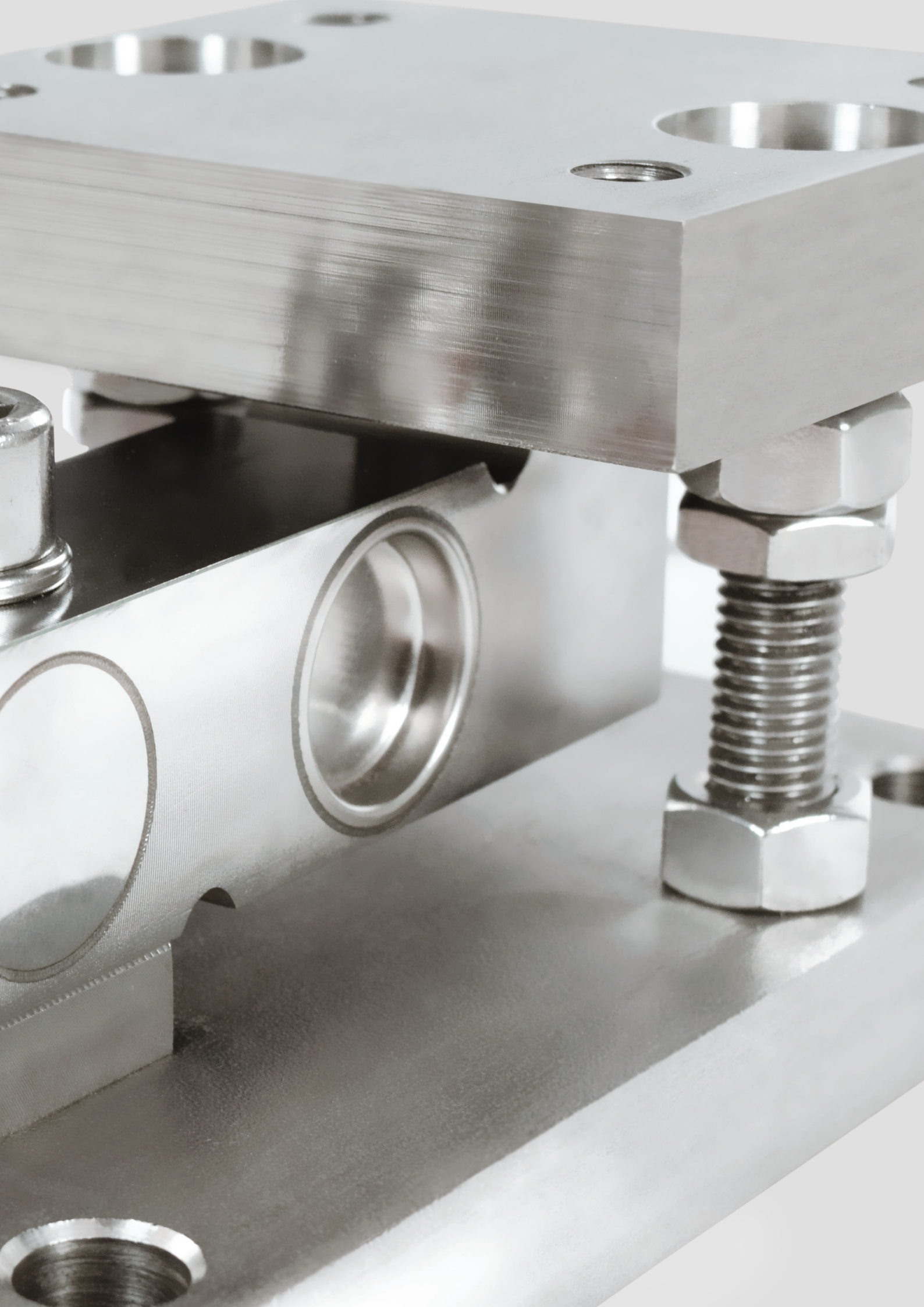
MOUNTING KIT LIFT-OFF
PREVENTION FOR SILO

CODE GTH

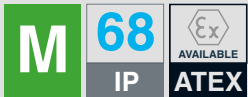
Reference	Nominal capacity - Ln (t)	Accuracy class n. OIML	Y= emax / vmin	Code #
☒ GTH 5	5	C3	8000	230632
☒ GTH 10	10	C3	8000	230633
☒ GTH 15	15	C3	8000	230634
GTH 20	20	C3	8000	230635
GTH 25	25	C3	8000	230636
GTH 30	30	C3	8000	230637
☒ GTH 35	35	C3	8000	230719
☒ GTH 50	50	C3	8000	230638

ACCESSORIES GTH

Reference	Material	Code #
AC-GTH Z	Zinc-plated	240156
AC-GTH I	Stainless steel	240159

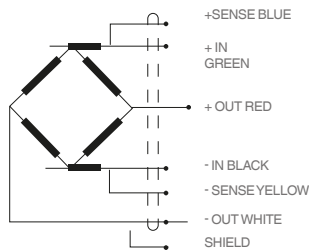


min 5.000 kg
max 100.000 kg



APPLICATIONS

tanks and silos weighing systems with highly linear and low profile requirements.



SENSES 2 additional wires to maintain a constant voltage supply at the load cell when used with proper instrumentation. Use specially when long wires and wide temperature range. SHIELD: Not connected to transducer body.

FEATURES

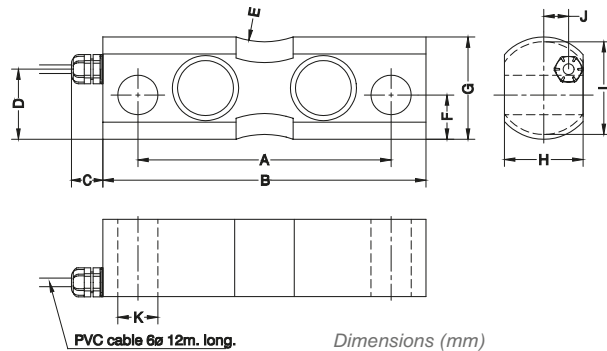
- Double shear beam load cell
- 3000 divisions OIML R60 class C.
- Measurement element from alloy steel
- Hermetically sealed, fully welded
- Protection IP68 (EN60529)
- Easy assembly.

Available in ATEX version (Ex) (optional)
Zona 0-1-2 (gas) and 20-21-22 (dust)



SPECIFICATIONS

Nominal capacities (Ln)	5-10-20-30-50-75-100 t
Accuracy class	3000 n. OIML
Minimum dead load	0 %Ln
Service load	150 %Ln
Safe load limit	200 %Ln
Total error	<±0.017 %Sn (1) (3)
Repeatability error	<±0.015 %Sn
Temperature effect on zero	<±0.01 %Sn/5°C
Temperature effect on sensitivity	<±0.006 %Sn/5°C
Creep error	<±0.016 %Sn
Temperature compensation	-10.±40 °C
Temperature limits	-20.±50 °C
Nominal sensitivity	2±0.1% mV/V (2)
Nominal input voltage	10 V
Maximum input voltage	15 V
Input impedance	800±30 Ω
Output impedance	700±3 Ω
No load output(SN)	< ±2 %Sn
Insulation resistance	> 5000 MΩ
Maximum deflection	0.6-1 mm
Cable length	12 m



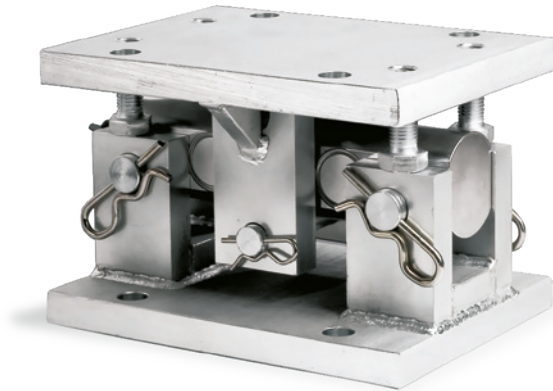
N. capacity kg	Transport weight	A	B	C	D	E	F	GØ	H	IØ	J	KØ
5 - 20 t	3.2 kg	145	185	16	41	r.50	25.7	59.5	45	54	14	23
30 - 50 t	8 kg	220	285	16	48	r.50	29.7	74.5	60	65	22	30
75 - 100 t	14.3 kg	260	340	16	66	r.50	37.2	99.5	80	90	32	50

CODE 460

N. capacity - ln (t)	Accuracy class n. OIML	y = emax / vmin	Code #
5	C3	10000	230269
10	C3	10000	230270
20	C3	10000	230271
30	C3	10000	230272
50	C3	10000	230273
75	C3	10000	230663
100	C3	10000	230664

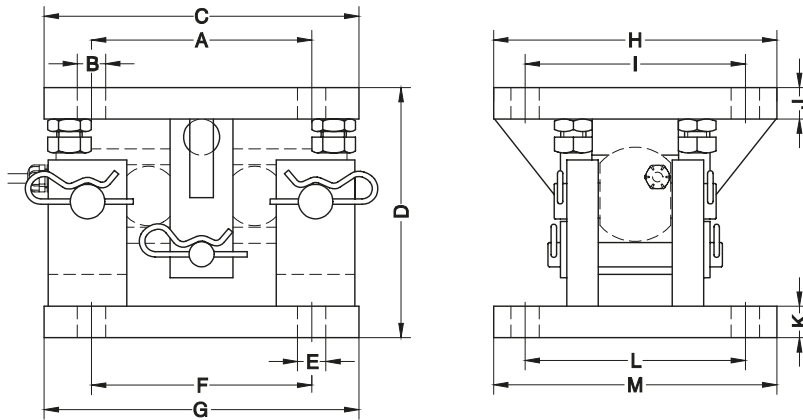
ACCESSORIES

Reference	Description	Code #
460ATEX	Option ATEX (version "i" only)	-

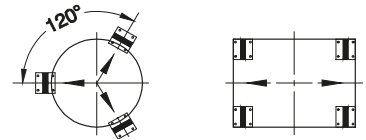


MOUNTING KIT LIFT-OFF PREVENTION

460



Dimensions (mm)



Accessories	Nominal load (t)	Transport weight	A	BØ	C	D	EØ	F	G	H	I	J	K	L	M
46901 / 46901i	5 - 20	17 kg	140	18	200	160	18	140	200	180	140	20	20	140	180
46902 / 46902i	30 - 50	39 kg	175	22	300	200	22	175	300	220	175	25	25	175	220
46903 / 46903i	75 - 100	82 kg	220	26	370	270	26	220	370	300	220	30	30	220	300

SPECIFICATIONS

	REF. ACCESSORIES		
	46901 / 46901i	46902 / 46902i	46903 / 46903i
Max. transverse displacement of load cell	± 5 mm	± 5 mm	± 10 mm
Maximum permissible lifting force	90 KN	210 KN	340 KN
Maximum permissible lateral force	4550 kg	8600 kg	12000 kg

Description	ZINC-PLATED STEEL		STAINLESS STEEL	
	ref	Code #	Reference	Code #
Mounting kit lift-off prevention for silo, load cells 5 - 20 t.	AC46901	240030	AC46901i	240149
Mounting kit lift-off prevention for silo, load cells 30 - 50 t.	AC46902	240031	AC46902i	240150
Mounting kit lift-off prevention for silo, load cells 75 - 100 t.	AC46903	240032	AC46903i	240151

min 2.500 kg
max 30.000 kg



APPLICATIONS

Silos
Tanks, others.



FEATURES

- Compression load cell
- 3000 divisions OIML R60 class C.
- Fully Stainless steel construction
- Hermetically sealed, fully welded
- Measurement element from alloy steel
- Protected against humidity IP68 (EN 60529)

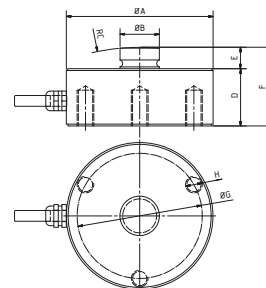


SPECIFICATIONS

Nominal capacities (Ln)	2500-3000-5000-7500-10000-12500-20000-25000-30000 kg
Accuracy class	1000/3000 n. OIML
Minimum dead load	0 %Ln
Service load	150 %Ln
Safe load limit	200 %Ln
Total error	<±0.017 %Sn (1)
Repeatability error	<±0.015 %Sn
Temperature effect on zero	<±0.01 %Sn/5°k
Temperature effect on sensitivity	<±0.006 %Sn/5°k
Creep error (30 minutes)	<±0.016 %Sn
Temperature compensation	-10. 40 °C
Temperature limits	-20. 50 °C
Nominal sensitivity (Sn)	2 ± 0.1% mV/V (2)
Nominal input voltage	10
Maximum input voltage	15
Input impedance	766±10%
Output resistance	700±10%
No load output	< ±2
Insulation resistance	> 5000
Maximum deflection	0.2-0.4
Cable length	8 m

C.N. (f)	A	B	C	D	E	F	G	H
2.5.12.5	82	22	130	32	12	44	70	M8
20.30	126	35	200	40	14	54		

Dimensions (mm)



CODE GTD

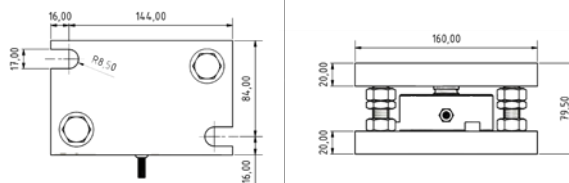
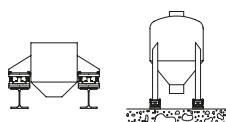
N. capacity - ln (kg)	Accuracy class n. OIML	y = e _{max} / v _{min}	Code #
2500	3000	10000	230706
3000	3000	10000	230707
5000	3000	10000	230708
7500	3000	10000	230709
10000	3000	10000	230710
12500	3000	10000	230711
20000	1000	6000	230712
25000	1000	6000	230713
30000	1000	6000	230714

ACCESSORIES

GTD



MOUNTING KIT LIFT-OFF PREVENTION FOR SILO



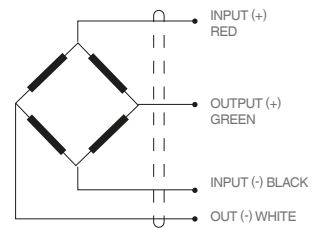
Reference	Material	Nominal load (t)	Code #
ACGTDz1	Zinc-plated	2,5-12,5	240160
ACGTDz2	Zinc-plated	20 - 30	240162
ACGTDi1	Stainless steel	2,5-12,5	240161
ACGTDi2	Stainless steel	20 - 30	240163

min 500 kg
max 30.000 kg



APPLICATIONS

Test benches and verification presses



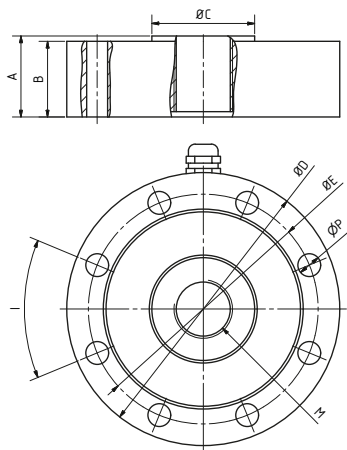
FEATURES

- Compression / traction load cell.
- 2000 divisions OIML R60 class C
- Stainless steel building
- Hermetically sealed laser welded
- Measurement element from alloy steel
- Protection IP68 (EN60529)



SPECIFICATIONS

Nominal capacities (Ln)	500-1000-2000-2500-5000-7500-10000-12000-20000-25000-30000 kg
Accuracy class	1000/2000 n. OIML
Input impedance	766Ω±2%
Output impedance	700±3Ω
Input voltage range	5..12 V
Nominal sensitivity	2mV/V
Temperature compensation	-10 a +50°C
Service load	150% (N.L.)
Safe load limit	> 200 % (N.L.)
Sensitivity tolerance	+/- 0.1% (N.L.)
Temperature effect on sensitivity (-10...+40°C)	<+/-0.001%/°C
Temperature effect on zero (-10...+50°C)	<+/-0.002%/°C
Maximum combined error	<+/- 0.02 (N.L.)
Creep in 30' at 20°C	+/- 0.02%
Cable length	5 m
Electrical connection	4 wires



Dimensions (mm)

C.N. (t)	A	B	D	E	I	M	P
0,5-7,5 t	30	28	101	85	45°C	M20 x 1,5	8 holes 8,5
10-30 t	40	39	150	125	30°C	M30 x 1,5	12 holes 10,5

CODE GTC

Reference	N. capacity - ln (kg)	Accuracy class n. OIML	y = emax / vmin	Code #
GTC0.5	500	C1 / C2	7500	230906
GTC1	1000	C1 / C2	7500	230907
GTC2	2000	C1 / C2	7500	230908
GTC2.5	2500	C1 / C2	7500	230909
GTC5	5000	C1 / C2	7500	230910
GTC7.5	7500	C1 / C2	7500	230911
GTC10	10000	C1 / C2	7500	230912
GTC20	20000	C1 / C2	7500	230913
GTC30	30000	C1 / C2	7500	230914

FEATURES

- Compression load cell, selfcentring column.
- 3000 divisions OIML R60 class C.
- Stainless steel construction
- Laser welded, Protection IP68 (EN60529)
- Optimized for parallel connection by corner pre-adjustment.
- Meets EMC /ESD requirements according to EN 45 501.
- Available in ATEX version 95 (Ex) (optional)
- Lightning protection (not possible with ATEX versions)
- Easy to install
- Rings set included



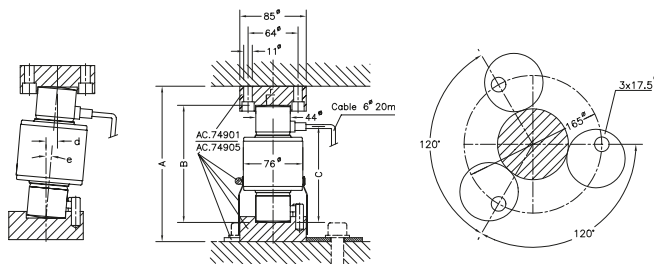
SPECIFICATIONS

Nominal capacities (Ln) 15-20-30-40 t

Accuracy class 3000		n. OIML				
Minimum dead load 0.01		%Ln				
		15t	20t	30t	40t	
Min scale verification load (emin) [max number of load cells]		5	5 10	10	10 20	kg EN45501
		[10]	[6] [10]	[10]	[6] [10]	
Sensitivity (Sn)	2	mV/V				
Sensitivity tolerance	±0.5	% (1)				
Temperature effect on zero	±0.0140	%Sn /				
Temperature effect on sensitivity (2)	±0.0080	10°K				
Hysteresis error (2)	±0.0170	%Sn				
No linearidad (2)	±0.0180	%Sn				
Creep error (30 minutes)	±0.0167	%Sn				
Input impedance (black-blue)	700±20	Ω				
Output impedance(red-white)	706±3.5	Ω (1)				
Reference excitation voltage	5	V				
Nominal range of excitation voltage	5 - 12	V				
Insulation resistance	>5	GΩ				
Nominal range of ambient temperature	-10 - +40	°C				
Service temperature range	-30 - +70	°C				
Storage temperature range	-50 - +85	°C				
Safe load limit	150	%Ln				
Breaking load	> 350	%Ln				
Permissible dynamic load (DIN50100)	70	%Ln				
Maximum capacity	15	20	30	40	t	
Deflection at Ln	0.55	0.65	0.75	0.85	mm	
Protection class(100 h at 1m water column)	IP68					
(water at high pressure, steam jet cleaning)	IP69 K					

Cable length 12 m

(1) Throughout corner pre-adjustment the sensitivity and output resistance are coordinated, so that the indicated value of the scale is within permissible limits when off-center load is applied.
 (2) The data for non-linearity, hysteresis error and temperature effect on sensitivity are typical values. The sum of these data meets the requirements for pLC=0.7 according to OIML R60 respectively NTEP.



Transport weight 3 kg | dimensions (mm)

Top view

Reference	A	B	C	R esf	amax(2)	S max (3)	FR (4)	
							S max(3)	S = 1
C16A 15t (1)	180	130	112	110	5°	11	6.0 %	0.55 %
C16A 20t (1)	200	150	123	130	5°	13	6.4 %	0.49 %
C16A 30t (1)	200	150	123	160	5°	13	9.9 %	0.76 %
C16A 40t (1)	200	150	123	180	5°	13	12.2 %	0.94 %

(1) Maximum load: 40t (2) Max. permissible skewing (3) Max. permissible lateral displacement of load introduction (4) Restoring force (% of applied load)

Reference	N. capacity - ln (t)	Accuracy class n. OIML	y = emax / vmin	Code #
C16A 15t	15	C3	10000	230021
C16A 20t	20	C3	10000	230022
C16A 30t	30	C3	10000	230024
C16A 40t	40	C3	10000	230026

GIROPES



C16

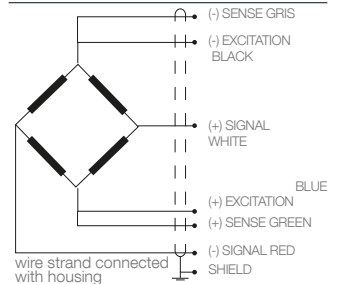
COMPRESSION

min 15.000 kg
max 40.000 kg



APPLICATIONS

High capacity weighing systems



Load cells are delivered with the following elements:
 Upper and lower tray.
 Anti-roll pivot, rubber tube, clamping flanges and 3 eccentrics

GIROPES



G8R

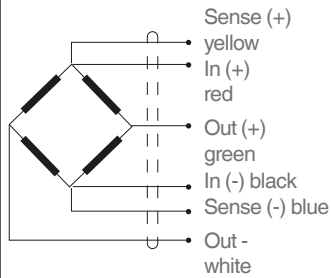
COMPRESSION

min 18.000 kg
max 50.000 kg

M 69k
IP

APPLICATIONS

High capacity Weighbridge



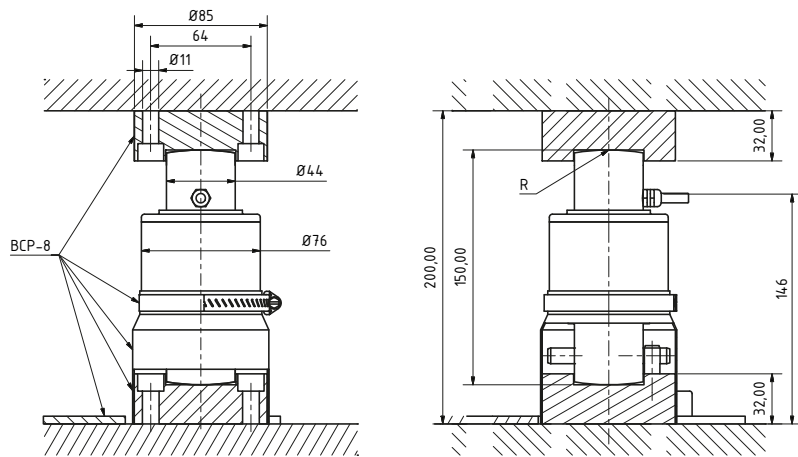
FEATURES

- Compression load cell.
- Load cell de commuting compression
- Stainless steel building
- 4000 divisions OIML R60 class C
- Hermetically sealed laser welded
- Protected against atmospheric discharges with surge arresters
- Protected against humidity IP69k (EN60529)



SPECIFICATIONS

Nominal capacities (Ln)	18-20-25-30-35-40-50 t
Accuracy class	C4 n. OIML
Minimum dead load	0 kg
Service load	120 %Ln
Safe load limit	150 %Ln
Total error	<±0.017 %Sn
Repeatability error	<±0.015 %Sn
Creep error (30 minutes)	<±0.016 %Sn
Temperature limits	-30 - +70 °C
Nominal sensitivity (Sn)	2 mV/V ±1%
Nominal input voltage	10 V
Maximum input voltage	15 V
Input impedance	800±5 Ω
Output resistance	700±5 Ω
No load output	±2 %Sn
Insulation resistance	> 5000 MΩ
Maximum deflection (at Ln)	0.6 - 1 mm



dimensions (mm)

CODE G8R

Reference	Nominal capacity - Ln (t)	Accuracy class n. OIML	y = emax / vmin	Code #
G8R 18	18	C4	15000	230566
G8R 20	20	C4	15000	230567
G8R 25	25	C4	15000	230568
G8R 30	30	C4	15000	230569
G8R 35	35	C4	15000	230570
G8R 40	40	C4	15000	230571
G8R 50	50	C4	15000	230662

CODE G8R WITH ARMoured CABLE

Reference	Description	Code #
G8R 18 CA	Load cell Giropes G8R 18 t - armoured cable	230652
G8R 20 CA	Load cell Giropes G8R 20 t - armoured cable	230653
G8R 25 CA	Load cell Giropes G8R 25 t - armoured cable	230654
G8R 30 CA	Load cell Giropes G8R 30 t - armoured cable	230655
G8R 35 CA	Load cell Giropes G8R 35 t - armoured cable	230656
G8R 40 CA	Load cell Giropes G8R 40 t - armoured cable	230657
G8R 50 CA	Load cell Giropes G8R 50 t - armoured cable	230767



ACCESSORIES

Ref	Description	Code #
AC-G8R	Alloy steel rings set in zinc-plated steel	240036
AC71901i	Stainless steel rings set	240184

For more information see page 49

RINGS SET **G8R**

Ref	Description	Code #
AC74902	Superior plate to unite the rings set at a structure (for one load cell).	240037

SUPERIOR PLATE **G8R**

Ref	Description	Code #
AC74903	Buttom plate to unite the rings set at a structure (for one load cell).	240038

BOTTOM PLATE **G8R**

Ref	Description	Code #
AC74907	Mounting kit lift-off prevention for silo for the load cells G8R (for one load cell)	240040

For more information see page 50

MOUNTING LIFT-OFF PREVENTION FOR SILO **G8R**

GIROPES



G8R-CP

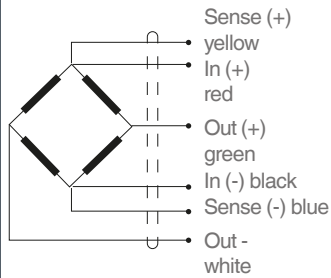
COMPRESSION

min 18.000 kg
max 50.000 kg



APPLICATIONS

High capacity weighbridges.

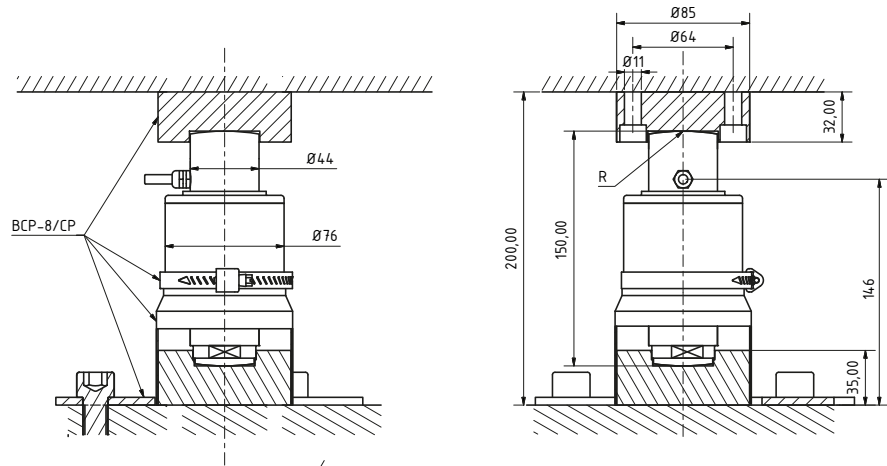


FEATURES

- Compression load cell.
- Self-centering load cell.
- Fully stainless steel construction.
- 4000 divisions OIML R60 Class C.
- Hermetically sealed by laser welding.
- Protected against atmospheric discharges with surge arresters.
- Protected against humidity IP69k (EN60529).

SPECIFICATIONS

Nominal capacities (Ln)	18-20-25-30-35-40-50 t
Accuracy class	C4 n. OIML
Minimum dead load	0 kg
Service load	120 %Ln
Safe load limit	150 %Ln
Total error	<±0.017 %Sn
Repeatability error	<±0.015 %Sn
Creep error (30 minutes)	<±0.016 %Sn
Temperature limits	-30... +70 °C
Nominal sensitivity (Sn)	2 mV/V ±1%
Nominal input voltage	10 V
Maximum input voltage	15 V
Input impedance	800Ω ± 2%
Output impedance	700 ± 3Ω
No load output	±2 %Sn
Insulation resistance	> 5000 MΩ
Maximum deflection (at Ln)	0.6 - 1 mm
Cable length	18 m



Dimensions (mm)

CODE G8R-CP

Reference	N. capacity - Ln (t)	Accuracy class n. OIML	y = emax / vmin	Code #
G8R-18 ACP	18	C4	15000	230928
G8R 20 ACP	20	C4	15000	230929
G8R 25 ACP	25	C4	15000	230930
G8R 30 ACP	30	C4	15000	230931
G8R 35 ACP	35	C4	15000	230932
G8R 40 ACP	40	C4	15000	230933
G8R 50 ACP	50	C4	15000	230934

CODE G8R-CP WITH ARMoured CABLE

Reference	Description	Code #
G8R 18 CA	Load cell Giropes G8R 18 t - armoured cable	231002
G8R 20 CA	Load cell Giropes G8R 20 t - armoured cable	231003
G8R 25 CA	Load cell Giropes G8R 25 t - armoured cable	231004
G8R 30 CA	Load cell Giropes G8R 30 t - armoured cable	231005
G8R 35 CA	Load cell Giropes G8R 35 t - armoured cable	231006
G8R 40 CA	Load cell Giropes G8R 40 t - armoured cable	231007
G8R 50 CA	Load cell Giropes G8R 50 t - armoured cable	231008

GIROPES

ACCESSORIES

G8R

ACCESSORIES

Reference	Description	Code #
ACG8R ACP	Stainless steel rings set	240461

More information on the page 49

RINGS SET

G8R

Reference	Description	Code #
-	Superior plate to anchor the rings accessory to an structure (for one load cell)	-

SUPERIOR PLATE

G8R

Reference	Description	Code #
-	Bottom plate to anchor the rings accessory to an structure (for one load cell)	-

BOTTOM PLATE

G8R

Reference	Description	Code #
-	Mounting kit lift-off prevention for silo for the load cells G8R CP4 (for one load cell)	-
-	Mounting kit lift-off prevention for silo for the load cells G8R CP6 (for one load cell)	-

MOUNTING LIFT-OFF
PREVENTION FOR SILO

G8R

G8RD

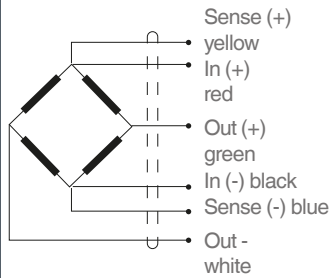
COMPRESSION

min 18.000 kg
max 50.000 kg

M 69k
IP

APPLICATIONS

High capacity load cell for weighbridges.



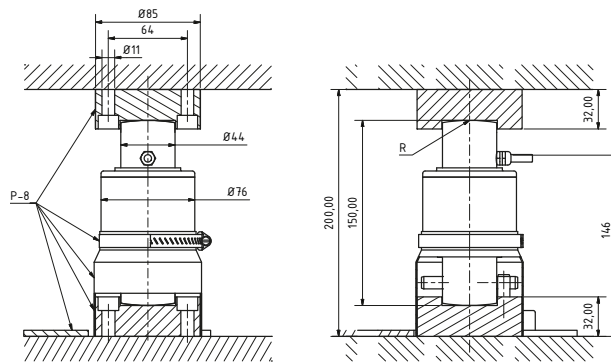
FEATURES

- Self-centring pivoting column compression load cell.
- 4000 divisions OIML R60 class C.
- Stainless steel building.
- Protected against humidity IP69k.
- Protected against atmospheric discharges with surge arresters.
- Interface digital RS485 full duplex.
- Setting and updating of software via serial interface.
- Advantages in setting-up, corner adjustment and individual diagnostics.



SPECIFICATIONS

Nominal capacities (Ln)	18-20-30-40-50 t
Accuracy class	C4 n. OIML
Minimum dead load	0 kg
Service load	120 %Ln
Safe load limit	150 %Ln
Total error	<±0.013 %Sn
Repeatability error	<±0.015 %Sn
Creep error (30 minutes)	<±0.016 %Sn
Temperature limits	-30... +70 °C
Nominal sensitivity (Sn)	200000±0.05% counts (programmable)
Nominal input voltage	6 - 15 V DC
Maximum input voltage	15 V
Power supply current	78 mA (max.)
Serial interface RS485	Full duplex
Max. transmission cable length	1200 m
Input impedance	800Ω ± 2%
Output resistance	700 ± 3Ω
No load output	±2 %Sn
Maximum deflection (at Ln)	0.6 - 1 mm
Cable length	18 m



Dimensions (mm)

C.N. (t)	R
18 - 20	130
30	160
40 - 50	180

CODE G8RD

Reference	N. capacity - Ln (t)	Accuracy class n. OIML	y = emax / vmin	Code #
G8R 18	18	C4	15000	231024
G8R 20	20	C4	15000	231025
G8R 30	30	C4	15000	231026
G8R 40	40	C4	15000	231027
G8R 50	50	C4	15000	231028

CODE G8RD WITH ARMoured CABLE

Referencia	Descripción	Código #
G8R 18 CA	Load cell Giropes G8R 18 t - armoured cable	231029
G8R 20 CA	Load cell Giropes G8R 20 t - armoured cable	231030
G8R 30 CA	Load cell Giropes G8R 30 t - armoured cable	231031
G8R 40 CA	Load cell Giropes G8R 40 t - armoured cable	231032
G8R 50 CA	Load cell Giropes G8R 50 t - armoured cable	231033

GIROPES

ACCESSORIES

G8R



Ref	Description	Code #
GBOX8D	Giropes hermetic ABS DIGITAL junction box (8 cells)	240487
AC8CLGBOXD	Digital junction circuit board up to 8 load cells	240066

DIGITAL JUNCTION BOX

G8RD

ACCESSORIES

Ref	Description	Code #
AC-G8R	Alloy steel rings set in zinc-plated steel	240036
AC71901i	Stainless steel rings set	240184

For more information see page 49



RINGS SET

G8RD

Ref	Description	Code #
AC74902	Superior plate to unite the rings set at a structure (for one load cell).	240037

SUPERIOR PLATE

G8RD

Ref	Description	Code #
AC74903	Bottom plate to unite the rings set at a structure (for one load cell).	240038

BOTTOM PLATE

G8RD

Ref	Description	Code #
AC74907	Mounting kit lift-off prevention for silo for the load cells G8R (for one load cell)	240040

For more information see page 50

MOUNTING LIFT-OFF
PREVENTION FOR SILO

G8RD

GIROPES



GIP

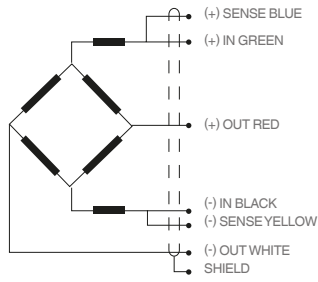
COMPRESSION

min 15.000kg
max 60.000kg



APPLICATIONS

High capacity weighing systems,
truck scales.



SENSES 2 additional wires to maintain a constant voltage supply at the load cell when used with proper instrumentation. Use specially when long wires and wide temperature range. SHIELD: Not connected to transducer body..

FEATURES

- Compression load cell, selfcentring column.
- 3000 divisions OIML R60 class C.
- Available in ATEX version Ex (optional)
- Zone 0-1-2 (gas) and 20-21-22 (dust)
- Easy to install
- Stainless steel building.
- Hermetically welded, Protection IP69K (ISO 20653)
- Pre-corner adjustment optimized for multicell systems
- Lightning protection

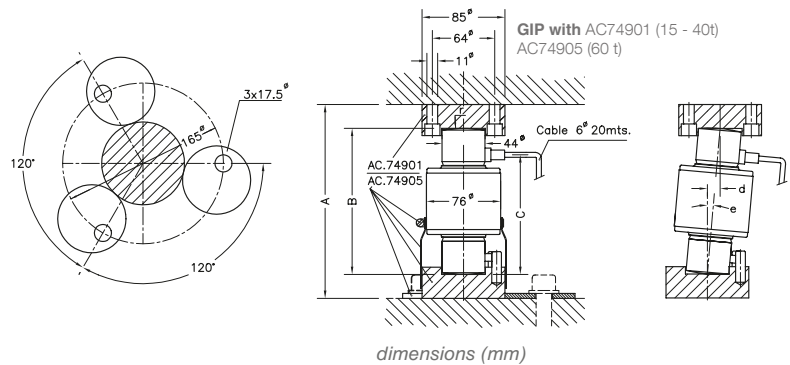


SPECIFICATIONS

Nominal capacities (Ln)	15-20-25-30-40-60 t
Accuracy class	3000 n. OIML
Minimum dead load	0 %Ln
Service load	120 %Ln
Safe load limit	150 %Ln
Total error	$\pm 0.017\% \text{Sn}$ (1)
Repeatability error	$\pm 0.015\% \text{Sn}$
Temperature effect on zero	$\pm 0.01\% \text{Sn}/5^\circ\text{k}$
Temperature effect on sensitivity	$\pm 0.006\% \text{Sn}/5^\circ\text{k}$
Creep error (30 minutes)	$\pm 0.016\% \text{Sn}$
Temperature compensation	-10 - +40 °C
Temperature limits	-30 - +70 °C
Nominal sensitivity (Sn)	2 mV/V (2)
Nominal input voltage	10 V
Maximum input voltage	15 V
Input impedance	800 \pm 5 Ω
Output resistance	700 \pm 5 Ω
No load output	$\pm 2\% \text{Sn}$
Insulation resistance	> 5000 M Ω
Maximum deflection	0.6-1 mm

(1) Pre-corner adjustment optimized at $\pm 0.05\%$ by output current calibration.

Cable lenght 18 m



Reference	A	B	C	d max.	e. max (allowed)	r. est	Transport weight
GIP15t	200	150	123	13	5°	130	2 kg
GIP20t	200	150	123	13	5°	130	2.1 kg
GIP25t	200	150	123	13	5°	150	2.2 kg
GIP30t	200	150	123	13	5°	160	2.3 kg
GIP40t	200	150	123	13	5°	180	2.9 kg
GIP60t	260	210	153	11	3°	220	3.7 kg

PRICE GIP 15-30 T

N. capacity - ln (t)	Accuracy class n. OIML	y = emax / vmin	Code #	Armoured cable load cell	
				€	Code #
15	C3	10000	230195	173	230787
20	C3	10000	230197	173	230198
25	C3	10000	230200	173	230473
30	C3	10000	230201	173	230202
40	C3	10000	230203	173	230204
60	C3	10000	230206	417	230788

ACCESSORIES

Reference	Description	Code #
GIPATEX	Option ATEX	-

Accessories GIP:
Support for silos, box junction, rings set and fixs plates. See page 49.

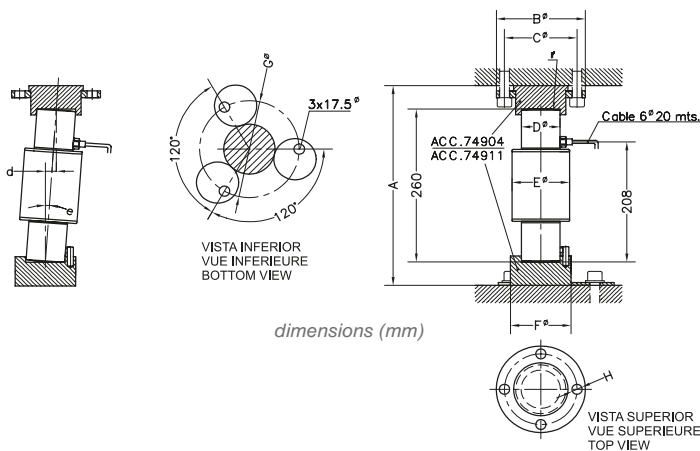
FEATURES

- Compression load cell, selfcentring column
- 1000 divisions
- Available in ATEX version Ex (optional)
- Zone 0-1-2 (gas) and 20-21-22 (dust)
- Easy to install
- Stainless steel building
- Hermetically welded, Protection IP69k (EN 60529)
- Pre-corner adjustment optimized for multicell systems
- Lightning protection

SPECIFICATIONS



Nominal capacities (Ln)	100 - 200 - 400 t
Accuracy class	3000 n. OIML
Minimum dead load	0 %Ln
Service load	150 %Ln
Safe load limit	200 %Ln
Total error	$< \pm 0.017 \% \text{Sn}$ (1) (3)
Repeatability error	$< \pm 0.015 \% \text{Sn}$
Temperature effect on zero	$< \pm 0.01 \% \text{Sn} / 5^\circ \text{k}$
Temperature effect on sensitivity	$< \pm 0.006 \% \text{Sn} / 5^\circ \text{k}$
Creep error (30 minutes)	$< \pm 0.016 \% \text{Sn}$
Temperature compensation	-10 - +40 °C
Temperature limits	-20 - +50 °C
Nominal sensitivity (Sn)	$2 \pm 0.1\% \text{ mV/V}$ (2)
Nominal input voltage	10 V
Maximum input voltage	15 V
Input impedance	$400 \pm 20 \Omega$
Output resistance	$350 \pm 3 \Omega$
No load output	$< \pm 2 \% \text{Sn}$
Insulation resistance	$> 5000 \text{ M}\Omega$
Maximum deflection	0.2-0.4
(1) Total error Non-linearity and hysteresis (2) Ln $\leq 20 \text{ kg}$, $2 \pm 0.2\%$ (3) 1500 kg 2000 n.OIML	
Cable length	18 m



dimensions (mm)

Reference	a	b	c	d	e	f	g	h	d max.	E. max (allowed)	r. est	Transport weight
GIP100t	340	147	120	64	100	100	165	17	18	4°	290	8 kg
GIP200t	340	147	120	64	100	100	165	17	9	2°	400	8 kg
GIP400t	360	200	170	109	140	140	200	21	8	1,4°	450	19 kg
AC74911	---	---	---	---	---	---	---	---	---	---	---	15 kg

PRICE GIP 100-400 T

Reference	N. capacity - ln (t)	Accuracy class n. OIML	y = emax / vmin	Code #
GIP100	100	1000	7500	230659
GIP200	200	1000	7500	230660
GIP400	400	1000	7500	230661

ACCESSORIES

Reference	Description	Code #
GIPATEX	Option ATEX	-
Accessories GIP: Support for silos, box junction, rings set and fixing plates. See page 49.		

GIROPES



GIP

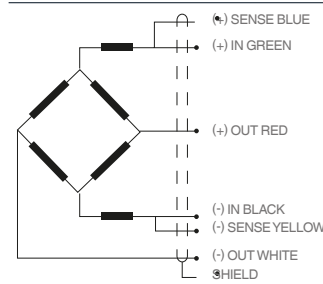
COMPRESSION

min 100.000kg
max 400.000kg



APPLICATIONS

High capacity weighing systems, weighbridges.



SENSES 2 additional wires to maintain a constant voltage supply at the load cell when used with proper instrumentation. Use specially when long wires and wide temperature range. SHIELD: Not connected to transducer body.

GIROPES



GIPD

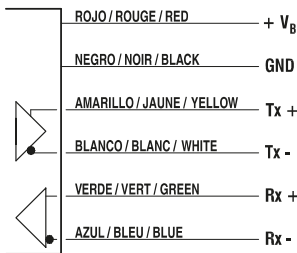
COMPRESSION

min 15.000 kg
max 60.000 kg



APPLICATIONS

High capacity weighing systems, truck scales.



FEATURES

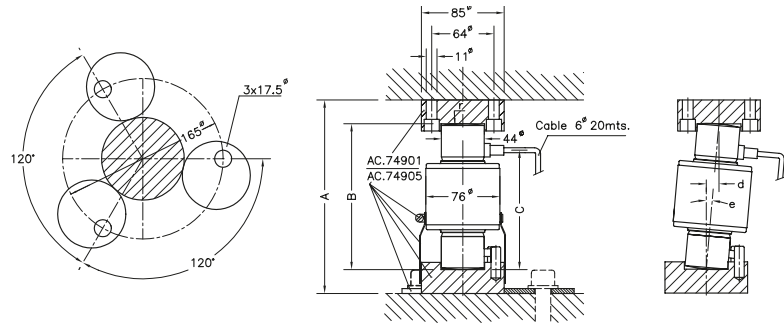
- Compression load cell, selfcentring column
- 4000 divisions OIML R60 class C.
- Easy to install.
- Stainless steel building.
- Hermetically welded, Protection IP69K (ISO 20653)
- Lightning protection
- Interface digital RS485 fullduplex.
- Configuration and updatable software through serial interface
- Advantages in system setup, corner adjustment and individualized diagnosis



SPECIFICATIONS

Nominal capacities (Ln)	15-30-40-60 t
Accuracy class	4000 n. OIML
Minimum dead load	0 %Ln
Service load	120 %Ln
Safe load limit	150 %Ln
Total error	<±0.013 %Sn
Repeatability error	<±0.01 %Sn
Temperature effect on zero	<±0.01 %Sn/5°k
Temperature effect on sensitivity	<±0.006 %Sn/5°k
Creep error (30 minutes)	<±0.012 %Sn
Temperature compensation	-10 - +40 °C
Temperature limits	-30 - +70 °C
Nominal sensitivity (Sn)	200000±0.05% counts (1)
No load output	±0.1 %Sn
Nominal input voltage	7.5 - 18 V DC
Supply current	80 mA (max.)
Serial interface RS485	Fullduplex
Max. transmission cable length	1200 m
Maximum deflection	0.6 - 1
(1) User programmable	
Cable length	18 m

GIP with AC74901 (15 - 40t)
AC74905 (60 t)



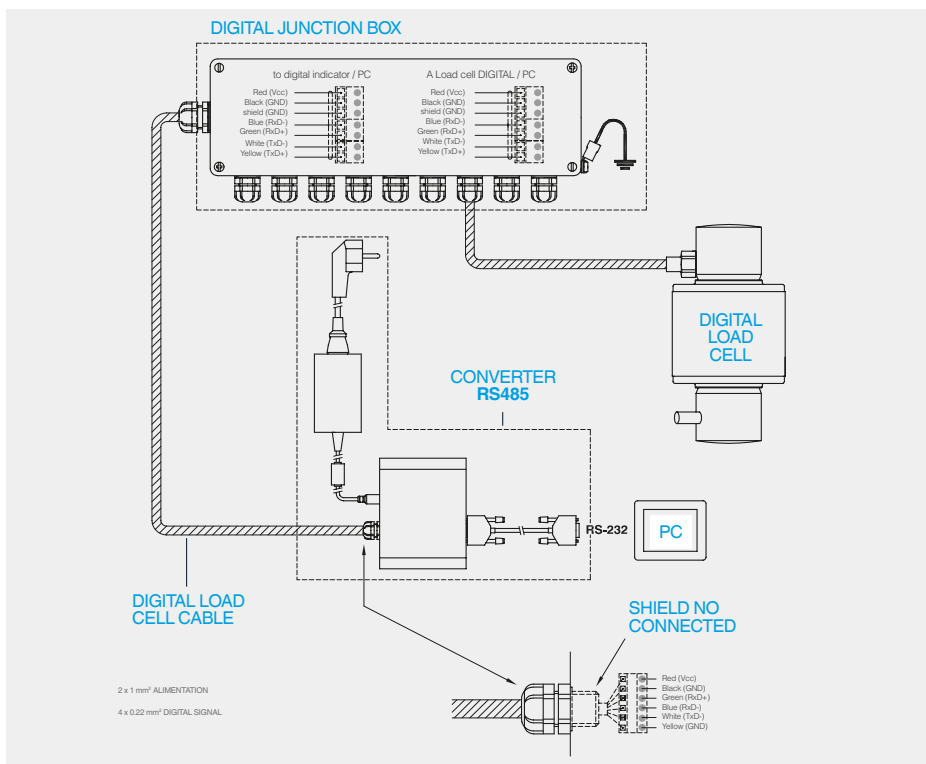
Dimensions (mm)

Reference	A	B	C	d max.	e. max (allowed)	r. est	Transport weight
GIP15t	200	150	123	13	5°	130	2 kg
GIP20t	200	150	123	13	5°	130	2.1 kg
GIP25t	200	150	123	13	5°	150	2.2 kg
GIP30t	200	150	123	13	5°	160	2.3 kg
GIP40t	200	150	123	13	5°	180	2.9 kg
GIP60t	260	210	153	11	3°	220	3.7 kg

PRICE GIPD 15-60 T

Reference	N. capacity - ln (t)	Accuracy class n. OIML	y = emax / vmin	Code #
GIPD15t	15	C4	12000	230207
GIPD20t	20	C4	12000	230208
GIPD30t	30	C4	12000	230209
GIPD40t	40	C4	12000	230210
GIPD60t	60	C4	12000	230658

Accessories GIP:
Support for silos, box junction, rings set and fixs plates. See page 49.



ACCESSORIES

Reference	Description	Code #
AC89090	Digital junction box 8 load cells.	240050
AC89091	Converter RS-485/RS-232	240165
AC89100	200 m digital load cell cable	240166

ACCESSORIES

GIPD

Accessories	Transport weight (kg)
AC74901	3
AC74902	3.9
AC74903	9.7
AC74905	3
AC74904	7
AC74911	15

LOAD CELLS	Accessories	A
GIP-GIPD (15-20-25-30-40 t)	AC74901 + AC74902 + AC74903	235
GIP-GIPD (60 t)	AC74905 + AC74902 + AC74903	295
GIP-GIPD (100-200 t)	AC74905 + AC74902 + AC74903	-
GIP-GIPD (400 t)	AC74911 + AC74902 + AC74903	-

ACCESSORIES RINGS SET GIP-GIPD

Reference	Description	Code #
AC74901	Rings set to lean the load cells GIP-GIPD (15-20-25-30-40 t) for one load cell	240036
AC74905	Rings set to lean the load cells GIP-GIPD (60 t) for one load cell	240039
AC74904	Rings set to lean the load cells GIP-GIPD (100-200 t) for one load cell	240510
AC74911	Rings set to lean the load cells GIP-GIPD (400 t) for one load cell	240511

SET RINGS

GIP

GIPD

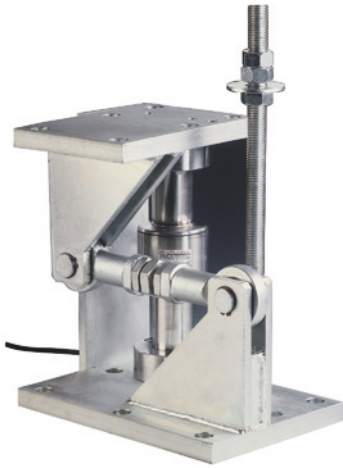
ACCESSORIES PLATES TO UNITE THE RINGS SET GIP-GIPD

Reference	Description	Code #
AC74902	Superior plate to unite the rings set at a structure (for one load cell). GIP-GIPD	240037
AC74903	Superior plate to unite the rings set on ground (for one load cell) GIP-GIPD	240038

PLATES TO UNITE

GIP

GIPD



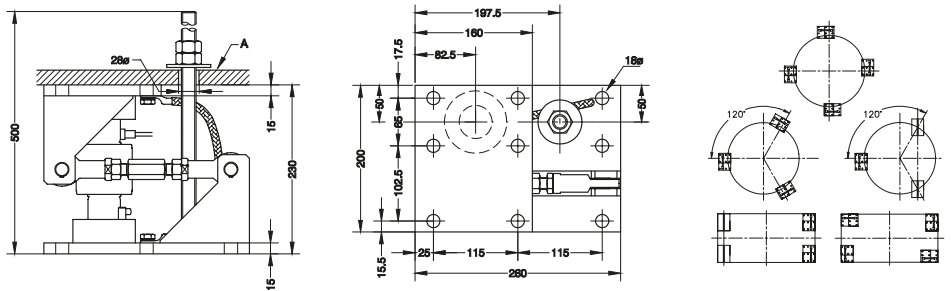
G8R
GIP
GIPD

15 t
40 t

MOUNTING KIT LIFT-OFF PREVENTION FOR SILO

SPECIFICATIONS

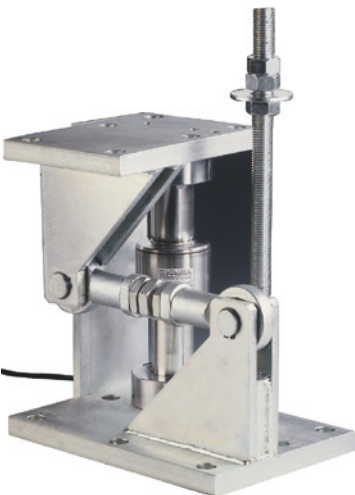
Nominal load	15 - 40 t
Max. permissible side offset transverse to retention arm	±4 mm
Permissible horizontal force in direction of the retention arm	47 kN
Maximum permissible lifting force	76 kN
Maximum permissible lifting movement, must be adjusted (A)	3 mm
Material	Zinc-plated steel
Transport weight	19 kg



Reference	Optionals and accessories	Code #
AC74907	Mounting kit lift-off prevention for silo for the load cells GIP, GIPD and G8R (for one load cell)	240040

SPECIFICATIONS

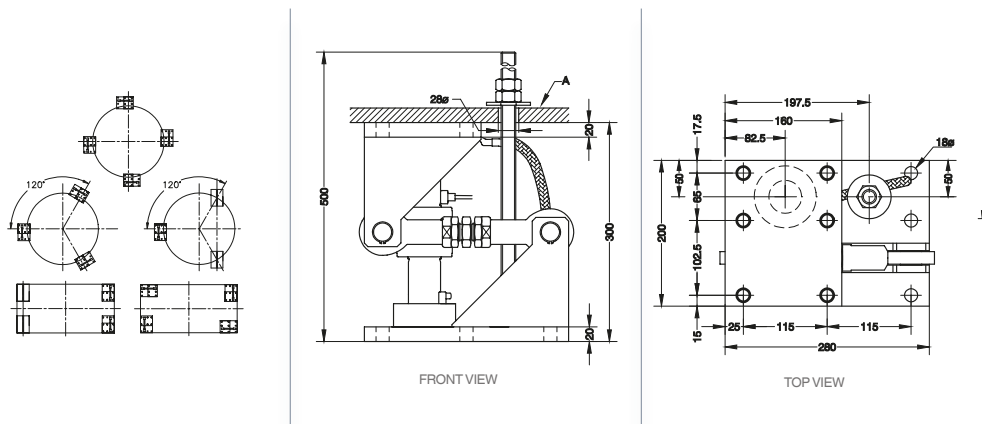
Nominal load	60 t
Max. permissible side offset transverse to retention arm	±4 mm
Permissible horizontal force in direction of the retention arm	95 kN
Maximum permissible lifting force	114 kN
Maximum permissible lifting movement, must be adjusted (A)	3 mm
Material	steel alloy zinc-plated
Transport weight	27 kg



GIP
GIPD

60 t

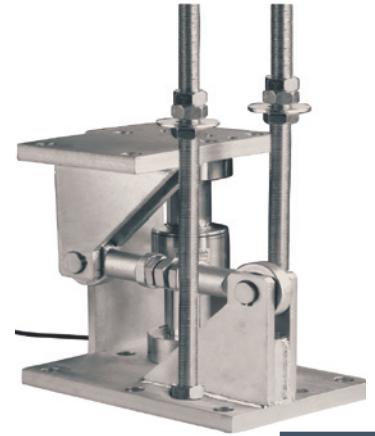
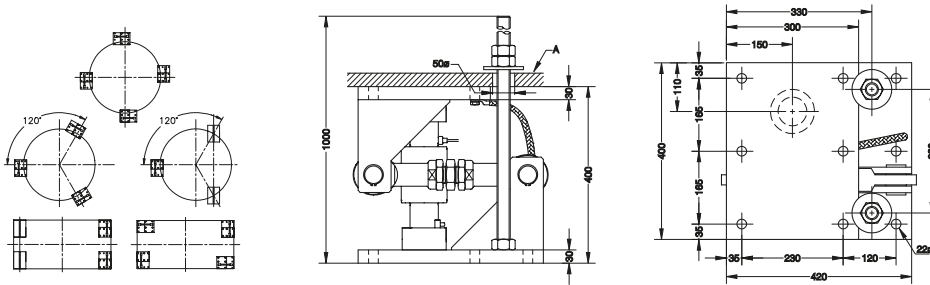
MOUNTING KIT LIFT-OFF PREVENTION FOR SILO



Reference	Optionals and accessories	Code #
AC74908	Mounting kit lift-off prevention for silo for the load cells GIP60t (for one load cell).	240108

SPECIFICATIONS

Nominal load	100 - 200 t
Max. permissible side offset transverse to retention arm	±5 mm
Permissible horizontal force in direction of the retention arm	180 kN
Maximum permissible lifting force	228 kN
Maximum permissible lifting movement, must be adjusted (A)	3 mm
Material	Zinc-plated steel
Transport weight	98 kg



GIP

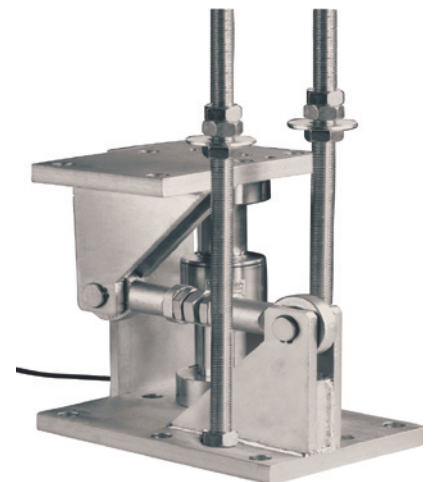
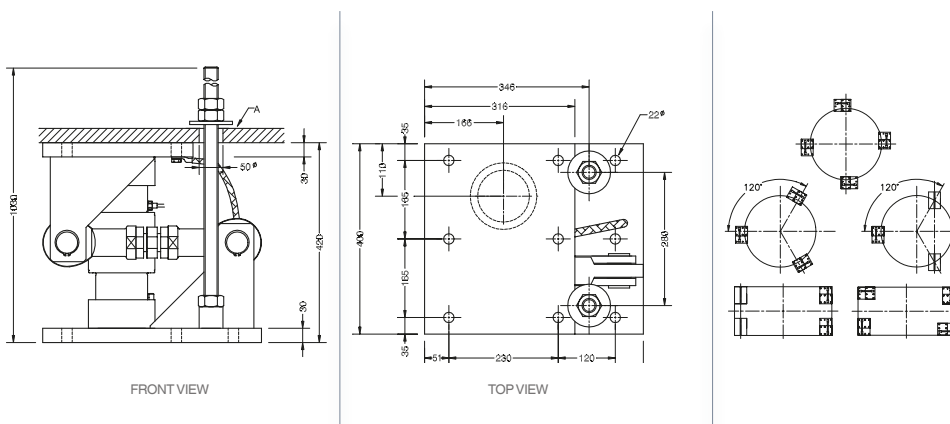
MOUNTING KIT LIFT-OFF PREVENTION FOR SILO

**100 t
200 t**

Reference	Optionals and accessories	Code #
AC74909	Mounting kit lift-off prevention for silo for the load cells GIP100t and GIP200t (for one load cell)	240109

SPECIFICATIONS

Nominal load	400 t
Max. permissible side offset transverse to retention arm	±5 mm
Permissible horizontal force in direction of the retention arm	240 kN
Maximum permissible lifting force	330 kN
Maximum permissible lifting movement, must be adjusted (A)	3 mm
Material	Zinc-plated steel
Transport weight	130 kg



GIP

MOUNTING KIT LIFT-OFF PREVENTION FOR SILO

400 t

Reference	Optionals and accessories	Code #
AC74910	Mounting kit lift-off prevention for silo for the load cells GIP400t (for one load cell)	240164

GIROPES



G1T

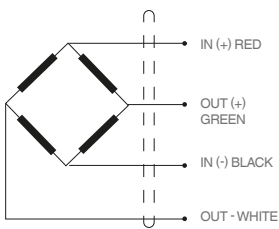
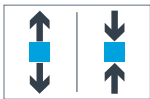
TRACTION

min 30 kg
max 2.500 kg



APPLICATIONS

Silos and Hopper weighing.

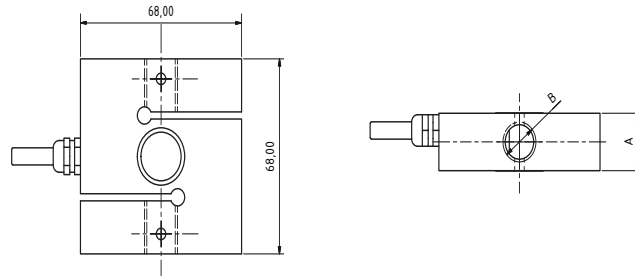


FEATURES

- Traction load cell
- 3000 divisions OIML R60 class C
- Hermetically sealed laser welded
- Measurement element from alloy steel
- Stainless steel building
- Protected against humidity IP68 (EN60529)

SPECIFICATIONS

Nominal capacities (Ln)	30-50-100-150-300-500-750-1000-1500-2000-2500 kg
Accuracy class	3000 n. OIML
Minimum dead load	0 %Ln
Service load	150 %Ln
Safe load limit	200 %Ln
Total error	<±0.017 %Sn (1) (3)
Repeatability error	<±0.015 %Sn
Temperature effect on zero	<±0.01 %Sn/5°C
Temperature effect on sensitivity	<±0.006 %Sn/5°C
Creep error (30 minutes)	<±0.016 %Sn
Temperature compensation	-10 - +40 °C
Temperature limits	-20 - +50 °C
Nominal sensitivity (Sn)	2±0.1% mV/V (2)
Nominal input voltage	10 V
Maximum input voltage	15 V
Input impedance	386±10% Ω
Output resistance	350±10% Ω
No load output	< ±2 %Sn
Insulation resistance	> 5000 MΩ
Maximum deflection	0.2-0.4 mm
Cable lenght	5 m



C.N. (kg)	30	50	100	150	300	500	750	1000	1500	2000	2500
A	12.5	12.5	12.5	12.5	20	20	25	25	25	25	25
B	M6	M6	M8	M8	M12	M12	M16	M16	M16	M16	M16

Dimensions (mm)

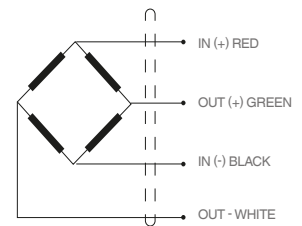
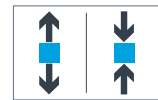
Reference	Nominal capacity - ln (kg)	Accuracy class n. OIML	$y = e_{\max} / v_{\min}$	Code #
G1T 30	30	C3	8000	230694
G1T 50	50	C3	8000	230695
G1T 100	100	C3	8000	230696
G1T 150	150	C3	8000	230697
G1T 300	300	C3	8000	230698
G1T 500	500	C3	8000	230699
G1T 750	750	C3	8000	230700
G1T 1000	1000	C3	8000	230701
G1T 1500	1500	C3	8000	230702
G1T 2000	2000	C3	8000	230703
G1T 2500	2500	C3	8000	230704

min 750 kg
max 5.000 kg



APPLICATIONS

Silos and Hopper weighing.

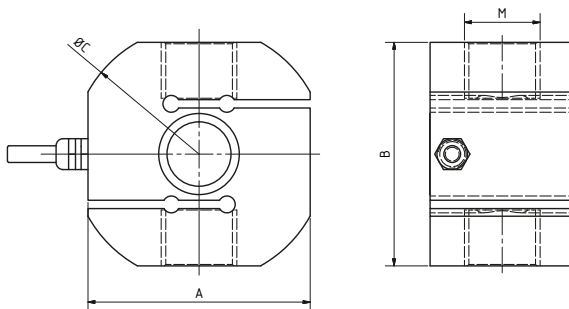


FEATURES

- Traction load cell
- 3000 divisions OIML R60 class C.
- Hermetically sealed laser welded
- Measurement element from alloy steel
- Stainless steel building
- Protected against humidity IP68 (EN60529)

SPECIFICATIONS

Nominal capacities (Ln)	750-1000-1500-2000-2500-3000-5000 kg
Accuracy class	3000 n. OIML
Minimum dead load	0 %Ln
Service load	150 %Ln
Safe load limit	200 %Ln
Total error	<±0.017 %Sn
Repeatability error	<±0.015 %Sn
Temperature effect on zero	<±0.01 %Sn/5°C
Temperature effect on sensitivity	<±0.006 %Sn/5°C
Creep error (30 minutes)	<±0.016 %Sn
Temperature compensation	-10.40 °C
Temperature limits	-20.50 °C
Nominal sensitivity (Sn)	2±0.1% mV/V (2)
Nominal input voltage	10 V
Maximum input voltage	15 V
Input impedance	386±10% Ω
Output resistance	350±10% Ω
No load output	< ±2 %Sn
Insulation resistance	> 5000 MΩ
Maximum deflection	0.2-0.4 mm
Cable length	5 m



C.N (kg)	A	B	ø C	D	M
250-500	70	70	80	25	M12
750-1500	80	80	91.5	25	M16
2000-5000	94	94	105	42	M22

Dimensions (mm)

Reference	Nominal capacity - In (Kg)	Accuracy class n. OIML	$y = e_{max} / v_{min}$	Code #
G2T 750	750	C3	8000	230625
G2T 1000	1000	C3	8000	230626
G2T 1500	1500	C3	8000	230627
G2T 2000	2000	C3	8000	230628
G2T 2500	2500	C3	8000	230629
G2T 3000	3000	C3	8000	230630
G2T 5000	5000	C3	8000	230631

GIROPES



G1G

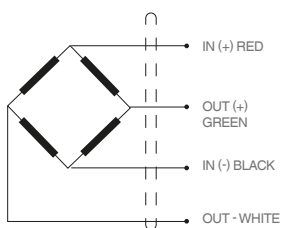
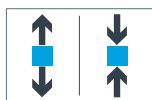
TRACTION

min 500 kg
max 12.500 kg



APPLICATIONS

Lifts and Forklifts

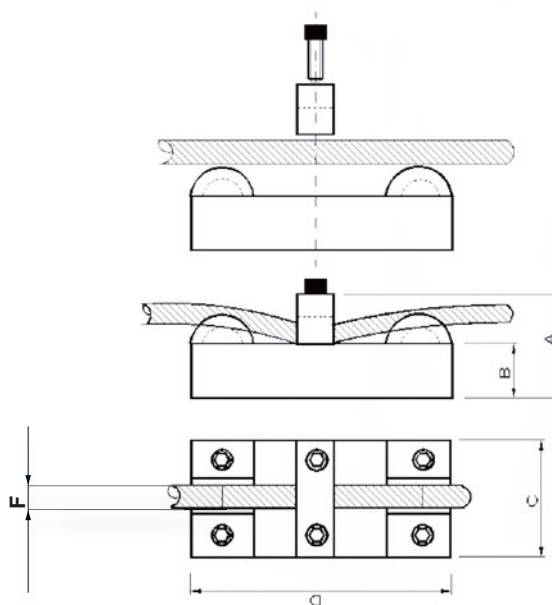


FEATURES

- Traction Load cell
- 3000 divisions OIML R60 class C.
- Hermetically welded
- Measurement element from alloy steel
- Stainless steel building
- Protected against humidity IP67 (EN60529)

SPECIFICATIONS

Nominal capacities (Ln)	500-12500 kg
Accuracy class	C2 n. OIML
Service load	150 %Ln
Safe load limit	400 %Ln
Total error	0,02% N.L
Nominal input voltage	5. 15 V
Input impedance	386±5 Ω
Output resistance	350±5 Ω
Temperature range compensated	-10. +40 °C
Nominal sensitivity (Sn)	2 mV/V ±1%
Insulation resistance	> 5000 MΩ
Cable lenght	4 m



Dimensions (mm)

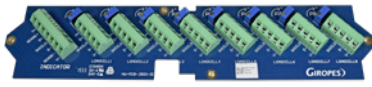
Model	f (diameter)	A	B	C	D
G1G 500 - 5000	4-15	80	25	73	230
G1G 3000 - 7500	4-24	70	25	60	230
G1G 5000 - 12500	4-35	55	25	40	180

Reference	Nominal capacity - Ln (kg)	Accuracy class n. OIML	y = emax / vmin	Code #
G1G 500-5000	500-5000	500	8000	230581
G1G 3000-7500	3000-7500	500	8000	230580
G1G 5000-12500	5000-12500	500	8000	230579

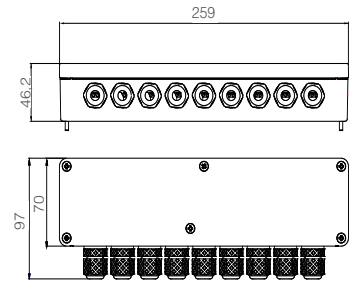


GIROPES
WEIGHING SOLUTIONS

**QUALITY &
MAXIMUM RELIABILITY**



AC8CLGBOX



Dimensions (mm)

Nº CELLS

JUNCTION BOXES

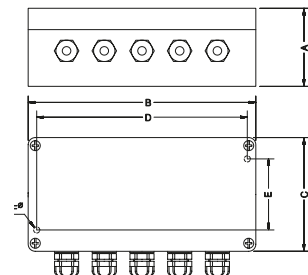
8

JUNCTION CIRCUIT

Reference	Description	Code #
GBOX8	Giropes hermetic ABS junction box (8 cells)	240442
GBOX8D	Giropes hermetic ABS DIGITAL junction box (8 cells)	240487

Reference	Description	Code #
AC8CLGBOX	Junction circuit board up to 8 load cells	240447
AC8CLGBOXD	Digital junction circuit board up to 8 load cells	240066

Reference	A	B	C	D	E	ØF	transport weight	material
89002	200	150	123	13	5°	130	2 kg	Plastic
89053	200	150	123	13	5°	130	2.1 kg	Plastic
89128	200	150	123	13	5°	150	2.2 kg	Aluminum
89068	200	150	123	13	5°	160	2.3 kg	Aluminum
89093	200	150	123	13	5°	180	2.9 kg	Aluminum
89092	260	210	153	11	3°	220	3.7 kg	Aluminum



Dimensions (mm)



Nº CELLS

JUNCTION BOXES

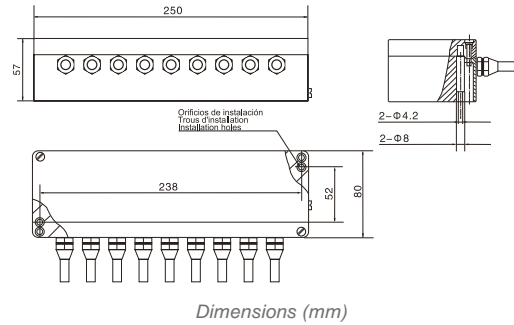
4

8

JUNCTION CIRCUIT

Reference	Description	Code #
AC89002	Junc-box up to 8 load cells plastic hermetic	240044
AC89053	Junc-box up to 4 load cells plastic hermetic	240045
AC89128	Junc-Box up to 4 load cells over voltage protected aluminium hermetic	240053
AC89068	Junc-Box up to 8 load cells over voltage protected aluminium hermetic	240046
AC89093	Junc-Box up to 4 load cells aluminium in version ATEX zone 0, 1, 2, 20, 21, 22.	240052
AC89092	Junc-Box up to 8 load cells aluminium in version ATEX zone 0, 1, 2, 20, 21, 22.	240051

Reference	Description	Code #
AC89069	Junction circuit board up to 4 load cells	240047
AC89070	Junction circuit board up to 8 load cells	240048
AC89071	Junction circuit board up to 8 load cells with arresters	240049

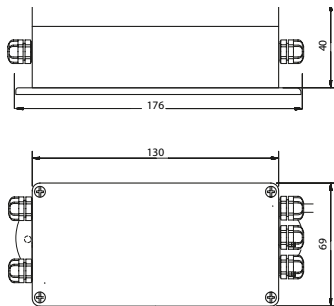


Reference	Description	Code #
AC90008	Junc-box from 2 up to 8 load cells aluminium hermetic.	240061

JUNCTION
BOXES

Nº
CELLS

≥ 2
≤ 8



*cables not included

Reference	Description	Code #
WBOX4	Junc-box up to 4 load cells plastic hermetic in ABS WBOX4	240450

IP68 JUNCTION
BOXES

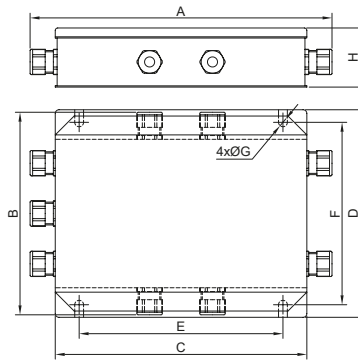
IP 68

Nº
CELLS

≤ 4

Reference	Description	Code #
-	Gel sealing and insulating kit for the protection of electronic circuits	240185

GEL SEALING KIT



Dimensions (mm)

Reference	A	B	C	D	E	ØF	H	material
AC90001	240	165	200	170	162	155	7	Stainless steel
AC90002	175	---	132	110	168	35	7	Stainless steel

Nº CELLS

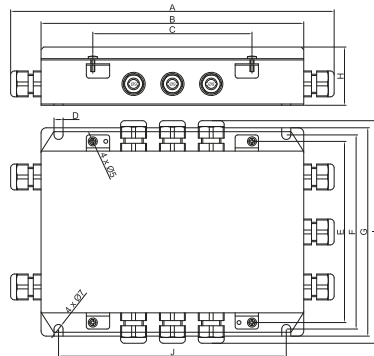
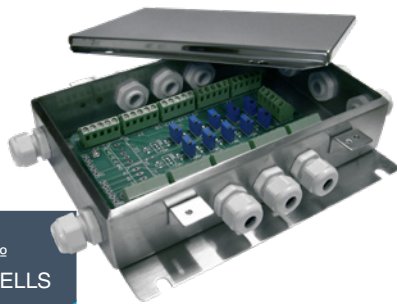
JUNCTION BOXES

≤ 4
≤ 8

JUNCTION CIRCUIT BOARD

Reference	Description	Code #
AC90001	Stainless steel junc-box up to 8 load cells	240055
AC90002	Stainless steel junc-box up to 4 load cells	240056

Reference	Circuit only and components without box	Code #
AC90031	Junction circuit board up to 8 load cells for the junc-box AC90001	240122
AC90030	Junction circuit board up to 4 load cells for the junc-box AC90002	240076



Transport weight 0,9 kg
Dimensions (mm)

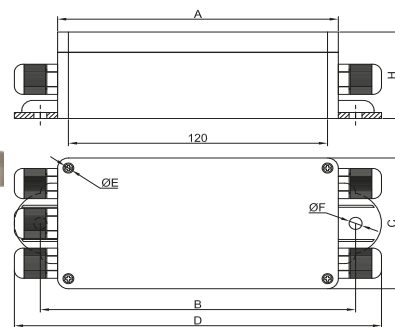
Reference	A	B	C	D	E	F	G	I	J	H	material
AC90006	250	200	120	7	140	150	160	170	170	45	Stainless steel

Nº CELLS

JUNCTION BOXES

≤ 10

Reference	Description	Code #
AC90006	Stainless steel junc-box of limited dimensions up to 10 load cells of load.	240059



Dimensions (mm)

Reference	A	B	C	D	E	ØF	H	material
AC90004	130	146	65	170	3	6,5	43	Plastic

Nº CELLS

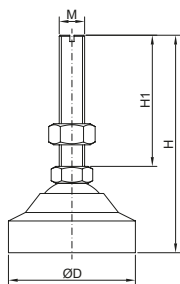
JUNCTION BOXES

≤ 4

Reference	Description	Code #
AC90004	Plastic junc-box of limited dimensions up to 4 load cells of load. Protection IP66	240057

FEATURES

- > Self-centering load feet with ball
- > Versions: Nickel-plated steel and stainless steel.
- > Rubber base.



Load	H	H1	ØD	M
0.5 - 2 t	90	50	60	M12 x 1.75
2 - 5 t	105	50	80	M18 x 1.75
2 - 5 t	130	90	100	M20 x 1.75

Reference	Optionals and accessories	Transport weight (kg)	Code #
AC90010	Self-centering load feet with ball, M12 x 1.75 with nickel-plated steel	0,365	240063
AC90011	Self-centering load feet with ball, M12 x 1.75, with stainless steel	0,330	240064
AC90012	Self-centering load feet with ball, M18 x 1.75, with Nickel-plated steel	0,910	240065
AC90022	Self-centering load feet with ball, M20 x 1.75, with stainless steel	1,620	240103

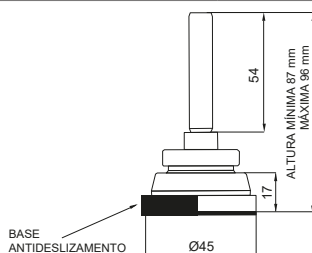


LOAD FEET

M12
M18

FEATURES

- > Self-centering load feet with ball
- > Stainless steel
- > Rubber base.



Reference	Optionals and accessories	Transport weight (kg)	Code #
INPIE PIV M12	Self-centering load feet with ball, M12 x 1.75, with stainless steel	0,250	700045



LOAD FEET

FEATURES

- > Self-centering load feet with spherical end
- > Versions: Nickel-plated steel and stainless steel
- > Rubber base.

Reference	Optionals and accessories	Transport weight (kg)	Code #
AC90014	Self-centering load feet with spherical end M12 x 1.75, with nickel-plated steel	0,245	240067
AC90014i	Self-centering load feet with spherical end M12 x 1.75, with stainless steel	0,245	240068



LOAD FEET

M12

FEATURES

- > Self-centering load feet of sliding cylinder
- > Nickel-plated steel

Reference	Optionals and accessories	Transport weight (kg)	Code #
AC90024	Self-centering load feet of sliding cylinder M12 x 1.75, with nickel-plated steel	0,370	240439



LOAD FEET

M12

FEATURES

- > Leveling load feet
- > Nickel-plated steel
- > Rubber base

Reference	Optionals and accessories	Transport weight (kg)	Code #
AC90025	Leveling load feet with rubber base M12 x 1.75, with nickel-plated steel	0,265	240440



LOAD FEET

M12

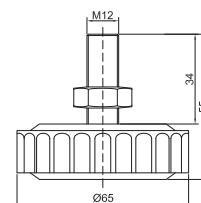
M12



LOAD FEET

FEATURES

- > Leveling load feet rigid.
- > With zinc-plated steel.
- > Rubber base



Reference	Optionals and accessories	Transport weight (kg)	Code #
AC90019	Leveling feet rigid for platforms monocell M12, with zinc-plated steel	0,090	240072

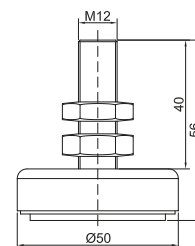
M12



LOAD FEET

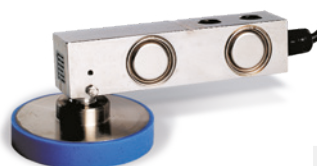
FEATURES

- > Leveling load feet
- > Stainless steel
- > Base in hard plastic.



Reference	Optionals and accessories	Transport weight (kg)	Code #
AC90020	Leveling load feet for platforms monocell, with stainless steel.	0,120	240073

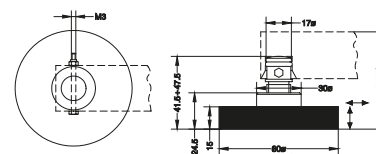
Ø17
Ø80



LOAD FEET

FEATURES

- > Self-centering load feet of sliding cylinder
- > Stainless steel
- > Base in hard plastic.



Reference	Optionals and accessories	Transport weight (kg)	Code #
AC90016	Self-centering load feet of sliding cylinder, stainless steel and rubber, cylinder Ø17, base Ø80	0,290	240070

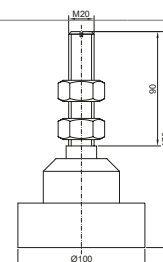
M20



LOAD FEET

FEATURES

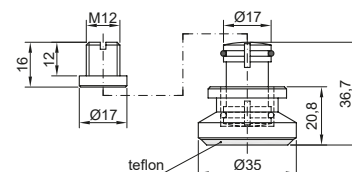
- > Self-centering load feet with ball.
- > Versions: Nickel-plated steel and stainless steel.
- > Up to 10 t.



Reference	Optionals and accessories	Transport weight (kg)	Code #
PIV100 z	Self-centering load feet with ball with Zinc-plated steel, M20	2,600	700055
PIV100	Self-centering load feet with ball with stainless steel, M20	2,600	700054

FEATURES

- > Self-centering load feet of sliding cylinder.
- > Small height.
- > Stainless steel
- > Teflon base.
- > Includes accessory for height adjustment



Reference	Optionals and accessories	Transport weight (kg)	Code #
AC90015	Self-centering load feet of sliding cylinder, stainless steel, cylinder Ø17, base Ø35	0,120	240069

M12



LOAD FEET

Description	Code #
Rod ends for tension M12	240444
Rod ends for tension M16	240445
Rod ends for tension M20	240512
Rod ends for tension M22	240446
Rod ends for tension M24	240513



ROD ENDS
FOR TENSION

M12
M16
M20
M22
M24

CONDITIONS GUARANTEE
RMA
ADVERTISING AND INFORMATIVE MAILING

VAT and cost of transport are not included

GUARANTEE CONDITIONS:

Giropes guarantees its products, bought through an authorized channel, with reference to manufacturing or material defects during a period of two years from the delivery date, according to the current legislation, except when there is a specific agreement or in the acceptance of the order.

- » The guarantee does not include damages produced by the wear of the material due to its use, inappropriate conservation or maintenance, Wrong storage or use, modifications introduced without the consent, on paper, from Giropes and in general due to causes beyond the control of our company, Giropes.
- » The guarantee does not include accessories such as battery, adaptor, electrical header, etc.
- » The reparations will be done by Giropes. The customer must pay for the dismantling, the packaging, the transport, the taxes, custom duty... produced by the delivery of the material to Giropes and its delivery to the customer.
- » The customer must do the delivery of the material via the RMA system which Giropes has.
- » Giropes can agree with the customer the reparation or the replacement of the faulty pieces. In such case, the expenses of the journey of the members of the technical service will be paid by the customer.
- » In the event of a malfunction of the product, within the first 45 days since its delivery, it is going to be replaced. The customer must claim for any damages by completing a RMA form and the item must be returned in its original, undamaged packaging. Giropes reserves the right to ask for images and/or videos to evaluate each case and for its approval. Giropes is going to take charge of the picking-up and the transport of the product. Giropes reserves the right to charge the product and transport if the product has been handled and damaged or the packaging is not completed.
- » A new warranty period does not commence in the case of replacement, but the calculation of the outstanding warranty period of the original product is reactivated.
- » Giropes is not going to pay for the reparations done by third parties.
- » The repairing or replacement of a faulty piece does not vary the guarantee period of the supplied product. However, the piece that has been repaired or replaced has a guarantee period of two years from the date when the reparation or replacement has been done (for the duration of the repair, the calculation of the two-year period is suspended).
- » Giropes is not responsible, in any case, of indirect damages and/or as a consequence of the supplying.
- » The Customer will be responsible of getting rid of the elements supplied by Giropes sl, following the necessary regulation rules, by its own account and responsibility.

WARRANTY FOR DAMAGES DONE DURING THE TRANSPORT:

- » Customers out of Spain but in European Union have 7 days from the date of delivery of the merchandise to communicate to BAXTRAN any type of damage produced by the transport in case the transport has been hired by Baxtran. If the complaining is not done during this period, BAXTRAN will not be responsible and in charge to pay for any type of repairing or substitution if the product has been damaged. This period could change by other country's law.
- » We remind you that there is at your disposal a section called "Reservations entry" to specify, when signing the delivery note that the package contains damages such as hits, breaks or others that can affect the product and cannot be seen without opening the package. We strongly recommend you to complete with your observations the delivery note from the deliverer before signing it. All the members of our staff have an EC Certify and the user's guide for our customers.
- » Remember that as manufacturers Giropes SL does not include transportation damage in the guarantee, so if they do not specify it in the "Reservation Annotation" it can not be claimed from the carrier.

REMOVAL OF USED ELECTRONIC PRODUCTS WITH THE SAME FEATURES AS THE PRODUCT PURCHASED:

- » GIROPES, S.L. is registered in the Register of Electrical and Electronic Equipment of the Ministry of Industry, Tourism and Trade (RII-AEE) under number 7322.
- » GIROPES, S.L. offers the customer the possibility of, on delivering their purchase, removing a used electrical and/or electronic product with the same characteristics as the one sold.

GIROPES



GUARANTEE



RMA

Giropes announced the introduction of a RMA service (Return Merchandise Authorization) with the objective to improve steps for products returns and/or repair and give a better after-sales services. From now RMA number is going to be compulsory to start any Technical Service.

If you are not familiar with our RMA, system, please click the link and follow the instructions.
<http://www.giropes.com/rma>

STEP 1

Go to Giropes website and click on RMA section:

www.giropes.com



STEP 2

Complete the form to request RMA number:

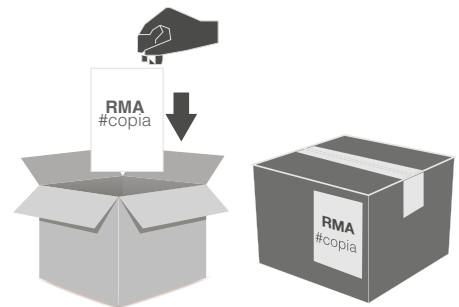
- <https://www.giropes.com/en/rma/>
- Giropes will answer within a period of more less 24 hours (on weekdays), with an RMA number and a label.



STEP 3

Return to Giropes:

- The box has to contain a copy of the RMA.
- The material has to be sent prepaid to the address that figures in the label, and a RMA copy appearing in a visible part of the package.



STEP 4

- **Return resolution:**
- Once the material is received, Giropes will proceed verifying and/or repairing it. As soon as the incident is resolved, Giropes will send out the item repaired freight collect.

For more information contact with our Technic Service
+34 972 527 212
service@giropes.com

Compensation quotes are valid for 45 days from the date on which they are sent. If after this period no written reply of acceptance or rejection of the quote has been received, the merchandise will be returned with the delivery fees to be paid by the recipient. In the case that the delivery is rejected, and, consequently, returned to our facilities, the material will then be considered property of GIROPES.

ADVERTISING AND INFORMATIVE MAILING

Following the general conditions of sale of Giropes SL, our Customers are incorporated to our database, so our customer is going to receive mailings with offers of our products and updates and news referring to these ones. If you want to use your rights of cancellation concerning to this matter, please contact us. In every email you receive, you can unsubscribe yourself if you do not wish to receive more offers or information about the products of Giropes SL and its brands.

NOTES REFERRING TO OUR CATALOGUE:

- The information of the products as well as their references and prices have been revised to make sure that they are right and they are completely updated. However, we can not guarantee that there is no mistake both in the Description and/or the prices which are shown or that our products are available at any time.
- The prices except if there is a typographical error or until the current document is modified. Please, consult Giropes SL to know always the last revision of the catalogue, the current prices and their availability at the time of placing your order.
- Similarly, we also inform you that the images that appear in our catalogue and in our website do not imply any contractual commitment. Giropes offers in this publishing and in the web of the products which are available and possibility to be delivered at the time of publishing the document. However, the circumstances can lead us to offer alternative equipment or changes in their design, which must also go through our exhaustive criteria of product quality.

INTELLECTUAL PROPERTY:

- The sale and delivery of equipment, software or services by Giropes SL and their brands to the Customer does not represent any transfer of property rights, patents, "copyrights", trademark right, technologies, designs, specifications, plans or any other intellectual property directly or indirectly incorporated to the equipment and software.

PAYMENT TERMS

- All the prices that appear in our catalogue are without VAT. Any type of indirect tax in connection with the sale are in charge of the customer. Cost of transport is not included.
- In general, the form of payment is a transfer within 30 calendar days since the issue date of the invoice. The modalities and payment methods must be formalised in writing with the acceptance of Giropes SL.
- Cash discount: a discount of the 3% can be applied for cash discount, provided that the replenishing is done within 15 days subsequent to receipt of goods. The invoice is going to be done with cash discount if it has been indicated at the moment of confirming your order when sending the goods. If the payment has not been done within the specified time, we are going to send and invoice without the 3% discount. If the customer have a complaint or objection, it does not entitle him to delay payment.

ORDERS

- The Customer must ask for the equipment using any type of writing communication. The order which have not been approved first by Giropes SL will not be valid.

RETENTION OF TITLE

- As the Contractual relationship the Customer gives to Giropes SL the retention of title of the equipment delivered until the actual payment of the ones and in the established conditions.



NOTES

GIROPES)

GIROPES
Solutions

Baxtran

girwin

Load cells 2022



www.giropes.com | [Linkedin:giropes-sl](https://www.linkedin.com/company/giropes-sl) | giropes@giropes.com
Pol. Empordà Internacional, C/Molló 3
17469 VILAMALLA(Girona) SPAIN
T(34) 972 527 212