



# TUNING-FORK BALANCE

## SJP series

## Brilliant & Compact

- ▶ Super bright back-lit LCD
- ▶ Quick response and accurate measurement
- ▶ User friendly operation
- ▶ OIML (class II) approved



SJP-2200E  
(2200g/0.1g)

**SHINKO DENSHI CO., LTD.**



ISO9001  
JQA-2834 TSUKUBA

**Newly developed MMTS  
(Mono-Metal Tuning-fork Sensor)**

Not only does the tuning-fork sensor provide quick response and stability, but its newly developed MMTS also realizes a high resolution of 1/12,000.



Patent pending

For further information, access [www.vibra.co.jp](http://www.vibra.co.jp)



**5-year warranty**

MMTS is covered by a 5-year warranty that attests to its long-term stability and durability.

**Comparator function**

Users can tell at a glance whether a load is too heavy, too light, or the right weight according to the upper/lower weight limits they preset.



**Bar graph display**

A 20-step bar graph display readily indicates the current load's weight against the capacity.



**Selectable modes and units**

Users can select from 3 modes (weight, unit count, and percentage) and from 12 units of weight.



**Weighing units**

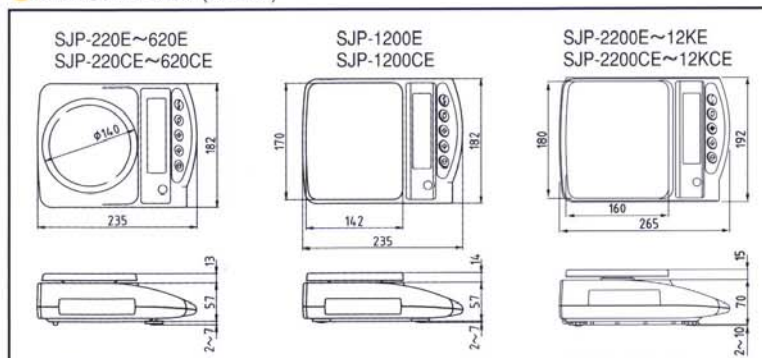
g, ct, oz, lb, ozt, dwt, GN, tI (Hong Kong), tI (Taiwan), tI (Singapore, Malaysia), momme, tola

**Specifications**

Model with EC approval*	SJP-220E SJP-220CE	SJP-420E SJP-420CE	SJP-620E SJP-620CE	SJP-1200E SJP-1200CE	SJP-2200E SJP-2200CE	SJP-4200E SJP-4200CE	SJP-6200E SJP-6200CE	SJP-12KE SJP-12KCE
Capacity	220g	420g	620g	1200g	2200g	4200g	6200g	12000g
Readability	0.01g	0.01g	0.01g	0.1g	0.1g	0.1g	0.1g	1g
Repeatability	±0.01g	±0.01g	±0.01g	±0.1g	±0.1g	±0.1g	±0.1g	±1g
Non-Linearity	±0.01g	±0.01g	±0.01g	±0.1g	±0.1g	±0.1g	±0.1g	±1g
Pan size		φ140mm		170×142mm			180×160mm	
Dimensions		235×182×75mm					265×192×87mm	
Weighing units <sup>*1</sup>	g, ct <sup>*2</sup> , oz, lb, ozt, dwt, GN <sup>*3</sup> , tI (Hong Kong), tI (Taiwan), tI (Singapore, Malaysia), momme, tola							
Power source	AC120/230V DC9V							
Output	RS-232C (option)							
Measuring system	Tuning-fork frequency sensing (MMTS)							
Tare	Full weighing range							
Calibration	With external weight							
Display	LCD with back-light							
Modes	weighing, counting, percentage							
Weight	Approx. 1.3kg				Approx. 2.7kg			

\* SJP-XXXCE stands for EC approval models  
 \*1 only 5 units are available in SJP-XXXCE  
 \*2 carat is not available in SJP-6200CE and SJP-12KCE  
 \*3 GN is not available in SJP-12KE and SJP-XXXCE

**Dimensions (unit: mm)**



**Options & Peripherals**

- SDI/SDR Satellite display
- RTS Database software for Windows

The contents of this catalogue are subject to change due to modifications and/or other reasons.

**SHINKO DENSHI CO., LTD.**

3-9-11 YUSHIMA, BUNKYO-KU, TOKYO 113-0034  
 TEL : 81-3-3835-4577 FAX : 81-3-5818-6066  
 URL : <http://www.vibra.co.jp> E-mail : [shinko@vibra.co.jp](mailto:shinko@vibra.co.jp)

● Distributed by: