

ENGLISH DEUTSCH FRANÇAIS

Mounting Instructions Montageanleitung Notice de montage



PW15B

Hottinger Brüel & Kjaer GmbH
Im Tiefen See 45
D-64293 Darmstadt
Tel. +49 6151 803-0
Fax +49 6151 803-9100
info@hbkworl.com
www.hbkworl.com

Mat.: 7-2003.3703
DVS: A03703 01 Y00 01
06.2023

© Hottinger Brüel & Kjaer GmbH

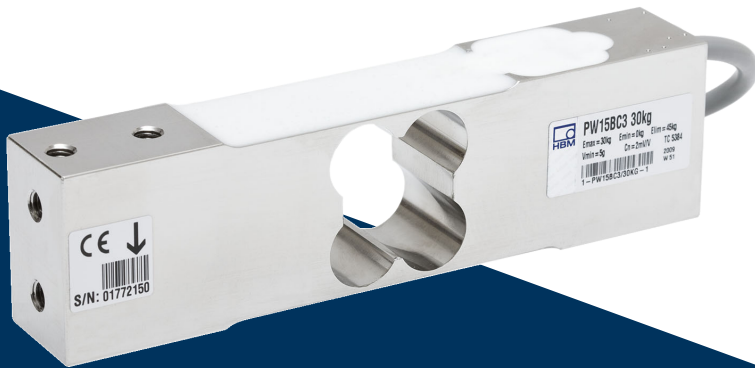
Subject to modifications.
All product descriptions are for general information only. They are not to be understood as a guarantee of quality or durability.

Änderungen vorbehalten.
Alle Angaben beschreiben unsere Produkte in allgemeiner Form. Sie stellen keine Beschaffenheits- oder Haltbarkeitsgarantie dar.

Sous réserve de modifications.
Les caractéristiques indiquées ne décrivent nos produits que sous une forme générale. Elles n'impliquent aucune garantie de qualité ou de durabilité.

ENGLISH DEUTSCH FRANÇAIS

Mounting Instructions



PW15B

TABLE OF CONTENTS

1	Safety instructions	3
2	Markings used	6
2.1	The marking used in this document	6
2.2	Symbols on the load cell	6
3	Conditions on site	7
3.1	Protection against corrosion	7
3.2	Deposits	7
4	Mechanical installation	8
4.1	Important precautions during installation	8
4.2	Mounting	8
5	Electrical connection	10
5.1	Connection with six-wire configuration	10
5.2	Connection with four-wire configuration	10
5.3	Shortening the cable	11
5.4	Cable extension	11
5.5	Parallel connection (option)	11
5.6	EMC protection	11
6	Specifications	13
7	Dimensions	16

1 SAFETY INSTRUCTIONS

Proper use

Load cells of the PW15B... type series are designed for technical weighing applications within the load limits detailed in the specifications. Any other use is not the designated use.

The load cells may only be installed by qualified personnel in compliance with the specifications and with the safety requirements and regulations of these mounting instructions. It is also essential to observe the applicable legal and safety regulations for the application concerned. The same applies to the use of accessories.

Load cells are not intended for use as safety components. Please also refer to the section: "Additional safety precautions". Proper and safe operation of the load cells requires proper transportation, correct storage, siting and mounting, and careful operation.

Loading capacity limits

The data in the technical data sheet must be complied with when using the load cells. In particular, the respective maximum loads specified must never be exceeded. The following limits set out in the specifications must not be exceeded, e.g.:

- Limit load
- Limit load at max. eccentricity
- Limit lateral loading
- Breaking loads
- Temperature limits
- Limits of electrical loading capacity

Note that, when several load cells are installed in a scale, there is not always an even distribution of load on the individual load cells.

Use as a machine element

The load cells can be used as machine elements. When used in this manner, it must be noted that, to favor greater sensitivity, the load cell is not designed with the safety factors usual in mechanical engineering. Please refer here to the section "Loading capacity limits" and to the specifications.

Accident prevention

The prevailing accident prevention regulations must be taken into account, even though the maximum capacity values in the destructive range are well in excess of the full scale value.

Additional safety precautions

Load cells cannot (as passive transducers) implement any (safety-relevant) cutoffs. This requires additional components and constructive measures for which the installer and operator of the plant is responsible.

In cases where a breakage or malfunction of the load cells would cause injury to persons or damage to equipment, the user must take appropriate additional safety measures that meet at least the requirements of applicable safety and accident prevention regulations (e.g. automatic emergency shutdown, overload protection, catch straps or chains, or other fall protection).

The layout of the electronics conditioning the measurement signal should be such that measurement signal failure does not cause damage.

Explosion protection version option

The following also apply to the load cells supplied with this option, that are to be used in potentially explosive atmospheres:

- It is essential to comply with the relevant code of practice during installation.
- In the explosion protection version, the connection cable of the single point load cells has free ends (for the cable wire assignment, see section 5.1).
- There must be compliance with the installation conditions cited in the Certificate of Conformity and/or the Type Examination Certificate.

General dangers of failing to follow the safety instructions

Load cells are state-of-the-art and reliable. Transducers can give rise to residual dangers if they are incorrectly operated or inappropriately mounted, installed and operated by untrained personnel. Everyone involved with siting, starting up, operating or repairing a load cell must have read and understood the Mounting Instructions and in particular the technical safety instructions. The load cells can be damaged or destroyed by non-designated use of the load cells or by non-compliance with the mounting and operating instructions, these safety instructions or any other applicable safety regulations (BG safety and accident prevention regulations) when using the load cells. Load cells can break, particularly in the case of overloading. The breakage of a load cell can also cause damage to property or injury to persons in the vicinity of the load cell.

If load cells are not used according to their designated use, or if the safety instructions or specifications in the mounting and operating instructions are ignored, it is also possible that the load cells may fail or malfunction, with the result that persons or property may be affected (due to the loads acting on or being monitored by the load cells).

The scope of supply and performance of the transducer covers only a small area of weighing technology, as measurements with (resistive) sensors presuppose the use of electronic signal processing. In addition, equipment planners, installers and operators should plan, implement and respond to the safety engineering considerations of the weighing technology in such a way as to minimize residual dangers. Pertinent national and local regulations must be complied with.

Conversions and modifications

The transducer must not be modified from the design or safety engineering point of view except with our express agreement. Any modification shall exclude all liability on our part for any damage resulting therefrom.

Maintenance

The PW15B... load cells are maintenance free.

Selling on

If the load cell is sold on, these mounting instructions must be included with the load cell.

Environmental protection, disposal

In accordance with national and local environmental protection and material recovery and recycling regulations, old transducers that can no longer be used must be disposed of separately and not with normal household waste.

If you need more information about waste disposal, please contact your local authorities or the dealer from whom you purchased the product.

Qualified personnel

Qualified personnel means persons entrusted with siting, mounting, starting up and operating the product, who possess the appropriate qualifications for their function.






This includes people who meet at least one of the three following requirements:

- Knowledge of the safety concepts of automation technology is a requirement and as project personnel, you must be familiar with these concepts.
- As automation plant operating personnel, you have been instructed how to handle the machinery. You are familiar with the operation of the equipment and technologies described in this documentation.
- As commissioning engineers or service engineers, you have successfully completed the training to qualify you to repair the automation systems. You are also authorized to activate, ground and label circuits and equipment in accordance with safety engineering standards.

2 MARKINGS USED

2.1 The marking used in this document

Important instructions for your safety are specifically identified. It is essential to follow these instructions in order to prevent accidents and damage to property.

Symbol	Significance
 WARNING	This marking warns of a <i>potentially</i> dangerous situation in which failure to comply with safety requirements <i>can</i> result in death or serious physical injury.
 CAUTION	This marking warns of a <i>potentially</i> dangerous situation in which failure to comply with safety requirements <i>can</i> result in slight or moderate physical injury.
Notice	This marking draws your attention to a situation in which failure to comply with safety requirements <i>can</i> lead to damage to property.
 Important	This marking draws your attention to <i>important</i> information about the product or about handling the product.
 Tip	This marking indicates application tips or other information that is useful to you.
 Information	This marking draws your attention to information about the product or about handling the product.
<i>Emphasis</i> See ...	Italics are used to emphasize and highlight text and identify references to sections, diagrams, or external documents and files.

2.2 Symbols on the load cell

CE mark



The CE mark enables the manufacturer to guarantee that the product complies with the requirements of the relevant EC directives (the declaration of conformity is available at <http://www.hbm.com/HBMdoc>).

3 CONDITIONS ON SITE

The PW15B series load cells are covered with a potting mass to protect the SG (strain gauges) against moisture. The transducers attain protection class IP67 as per DIN EN 60529. Nevertheless, the load cells must be protected against permanent moisture influence.

3.1 Protection against corrosion

The load cells must be protected against chemicals that could attack the transducer body steel or the cable.

Notice

Acids and all substances that release ions also attack stainless steels and their welded seams.

Should there be any corrosion, this could cause the transducer to fail. In this case, appropriate protective measures should be implemented.

3.2 Deposits

Dust, dirt and other foreign matter must not be allowed to accumulate sufficiently to divert some of the measuring force onto the housing, thus invalidating the measured value (force shunt).

4 MECHANICAL INSTALLATION

4.1 Important precautions during installation

- Handle the transducer with care.
- Welding currents must not be allowed to flow over the transducer. If there is a risk that this might happen, you must use a suitable low-ohm connection to electrically bypass the transducer. HBM, for example, provides the highly flexible EEK ground cable, which can be screwed on above and below the transducer.
- Make sure that the transducer cannot be overloaded.

WARNING

There is a danger of the transducer breaking if it is overloaded. This can cause danger for the operating personnel of the system in which the transducer is installed. Implement appropriate safety measures to avoid overloads or to protect against resulting dangers.

Notice

Load cells are precision measuring elements and need to be handled carefully. Dropping or knocking the transducer may cause permanent damage. Make sure that the transducer cannot be overloaded, even while it is being mounted.

4.2 Mounting

Attach the load cells at the mounting holes and apply the load to the other end. The screws and tightening torques to be used are given in the following table:

Maximum capacities	Thread	Min. property class	Tightening torque ¹⁾
7.5 ... 150 kg	M6	10.9	14 N·m
200 kg	M8	10.9	33 N·m

¹⁾ Recommended value for the specified property class. Please comply with the screw manufacturer's instructions with regard to screw dimensions

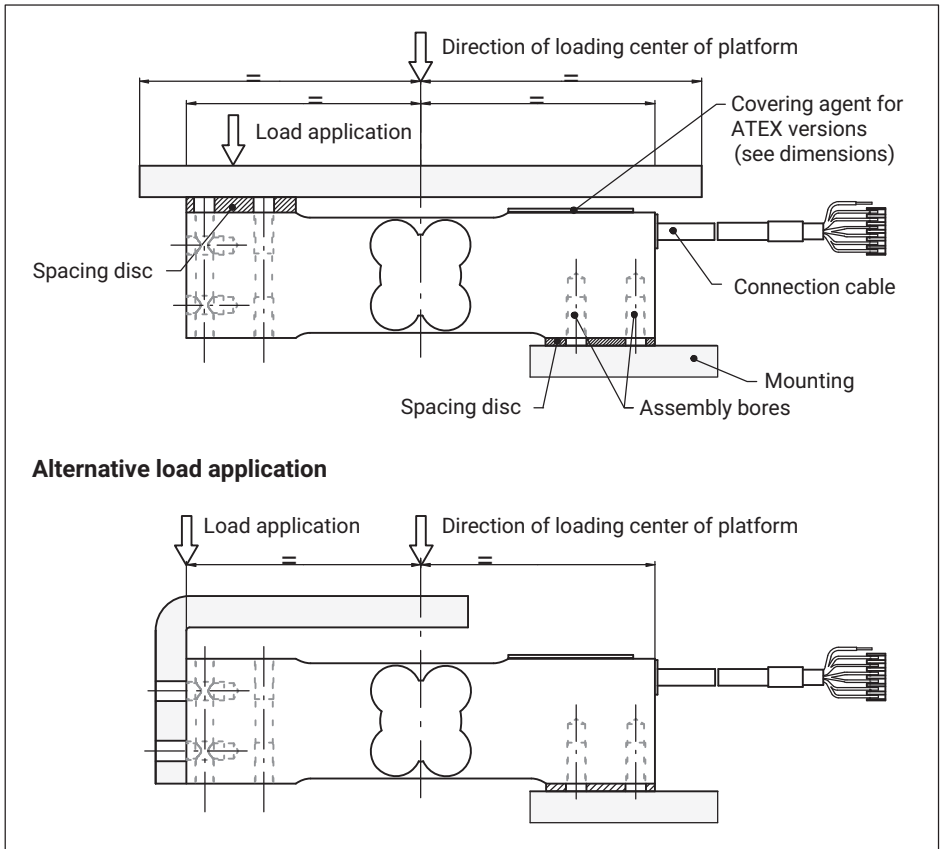


Fig. 4.1 Load application and installation



Important

Load must not be applied to the side where the cable connection is located, as this would cause a force shunt.

5 ELECTRICAL CONNECTION

The following can be connected for measurement signal conditioning:

- Carrier-frequency amplifier
- DC amplifier

designed for strain gauge measurement systems.

The transducers are supplied in the standard version with a 3m cable and 6-pin Pancon connector in a six-wire configuration.

5.1 Connection with six-wire configuration

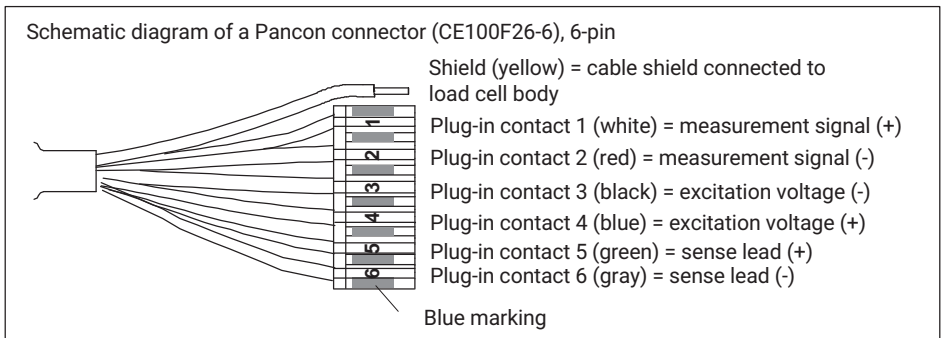


Fig. 5.1 Connection with a 6-wire cable (choice of lengths: 1.5m, 3 m, 6 m or 12 m)

With this cable assignment, the output voltage at the measuring amplifier is positive when the transducer is loaded (see Fig. 4.1).

5.2 Connection with four-wire configuration

When transducers with a six-wire configuration are connected to amplifiers with a four-wire configuration, the sense leads of the transducer must be connected to the corresponding supply leads: Identification (+) with (+) and identification (-) with (-), see Fig. 5.1. This measure also reduces the cable resistance of the excitation voltage leads. However, there will be a voltage loss on the supply leads due to the cable resistance that is still present and not compensated for by the six-wire configuration. A large part of this loss can be eliminated by a calibration, however, the temperature-dependent part remains. The TKc value given in the specifications for the transducer therefore does not apply for the cable and transducer combination when connection is with four-wire configuration, the cable percentage must be added.

5.3 Shortening the cable

If the transducer is connected to an amplifier with a six-wire configuration, the transducer cable can be shortened as required, without adversely affecting the measurement accuracy.

5.4 Cable extension

Only use shielded, low-capacitance measurement cables for extension. Ensure that connection is perfect, with a low contact resistance.

The cable of a six-wire transducer can be extended with a cable of the same type.

5.5 Parallel connection (option)

Only load cells with an aligned output (nominal (rated) sensitivity and output resistance) are suitable for parallel connection. Type PW15B load cells are available with this option.

5.6 EMC protection

Electrical and magnetic fields often induce interference voltages in the measuring circuit. To ensure reliable measurement, however, the transducer must be able to transmit signal differences of a few μV to the analysis unit without interference.

Planning the shielding design

Due to the numerous application options and differing local constraints, we can only provide you with general information on correct connection. The shielding design suitable for your application must be planned locally by an appropriate specialist.

HBM load cells with shielded, round cables are EMC-tested in accordance with the EU Directive and bear the CE mark. Voltage surges as per EN 61000-4-5 can give rise to deviations from the load cell's specified accuracy. These surges in plants are caused by lightning strikes or switching operations in power circuits, for example, and disappear again when interference is no longer active. This is particularly evident with cables over 30 m long or if the equipment is used outdoors. Customers should take additional precautions in these cases.

Please note:

- Connect the connecting cable shield all over the surface of the shielding electronics housing. When using several load cells, connect the shields all over the surface of the junction box (combination of transducer signals, e.g. type VKK2 from HBM). From there, connect the measurement cable for the electronics over the surface of the junction box and the shielding electronics housing.
- The shield of the connecting cable must not be used for discharging potential differences within the system. You must therefore lay sufficiently dimensioned potential equalization lines to compensate for possible potential differences.
- Use shielded low-capacitance measurement cables only (HBM cables fulfill these conditions).

- Do not route measurement cables parallel to electric cables, especially power lines and control circuits. If this is not possible, protect the measurement cable, for example with steel conduits.
- Avoid stray fields from transformers, motors and contact switches.

6 SPECIFICATIONS

Type			PW15B...								
Accuracy class 1)			C3MR								
Number of scale intervals	n_{LC}		3000								
Nominal (rated) load	E_{max}	kg	7.5	15	20	30	50	75	100	150	200
Minimum load cell verification interval	v_{min}	g	0.5	1	2	2	5	5	10	10	20
Temperature coefficient of zero signal per 10K	TK_0	% of C_n	± 0.0093	± 0.0093	± 0.0140	± 0.0093	± 0.0140	± 0.0093	± 0.0140	± 0.0093	± 0.0140
Maximum platform size		mm	500 x 400								
Nominal (rated) sensitivity	C_n	mV/V	2.0 $\pm 10\%$ (Option 6: 2.0 mV/V $\pm 0.1\%$)								
Zero signal error			± 0.1								
Temperature coefficient of the sensitivity per 10K ²⁾ in the temperature range +20 ... +40 °C -10 ... +20 °C	TK_C	% of C_n	± 0.0175 ± 0.0117								
Linearity error ²⁾	d_{lin}		± 0.0166								
Relative reversibility error ²⁾	d_{hy}		± 0.0166								
Minimum dead load output return	$MDLOR$		± 0.0166								

Type			PW15B...								
Accuracy class 1)			C3MR								
Nominal (rated) load	E_{\max}	kg	7.5	15	20	30	50	75	100	150	200
Off-center load error 3)		ppm	≤ 233								
Input resistance	R_{LC}	Ω	380 ±15								
Output resistance	R_0		359 ±5 (Option 6: 359 ±0.2)								
Reference excitation voltage	U_{ref}	V	5								
Nominal (rated) range of the excitation voltage	B_U		1 ... 12								
Maximum excitation voltage			15								
Insulation resistance at 100 V _{DC}	R_{is}	GΩ	> 1								
Nominal (rated) temperature range	B_T	°C	-10 ... +40								
Operating temperature range	B_{tu}		-10 ... +50								
Storage temperature range	B_{tl}		-25 ... +70								
Limit load at maximum 160 mm eccentricity	E_L	% of E_{\max}	150								
Limit lateral loading, static	E_{lq}		300								
Breaking load	E_d		300								

Type			PW15B...								
Accuracy class 1)			C3MR								
Nominal (rated) load	E_{max}	kg	7.5	15	20	30	50	75	100	150	200
Nominal (rated) load	E_{max}	kg	7.5	15	20	30	50	75	100	150	200
Nominal (rated) displacement 4), approx.	s_{nom}	mm	0.21	0.2	0.2	0.2	0.18	0.17	0.17	0.17	0.17
Weight, approx.	G	kg	1								
Degree of protection per EN 60529 (IEC 529)			IP67								
Cable length (standard)		m	3								
Material			Steel 1.4545 5) Silicone rubber PVC								
Measuring body											
Cover											
Cable sheath											

1) As per OIML R60, with $P_{LC} = 0.7$.

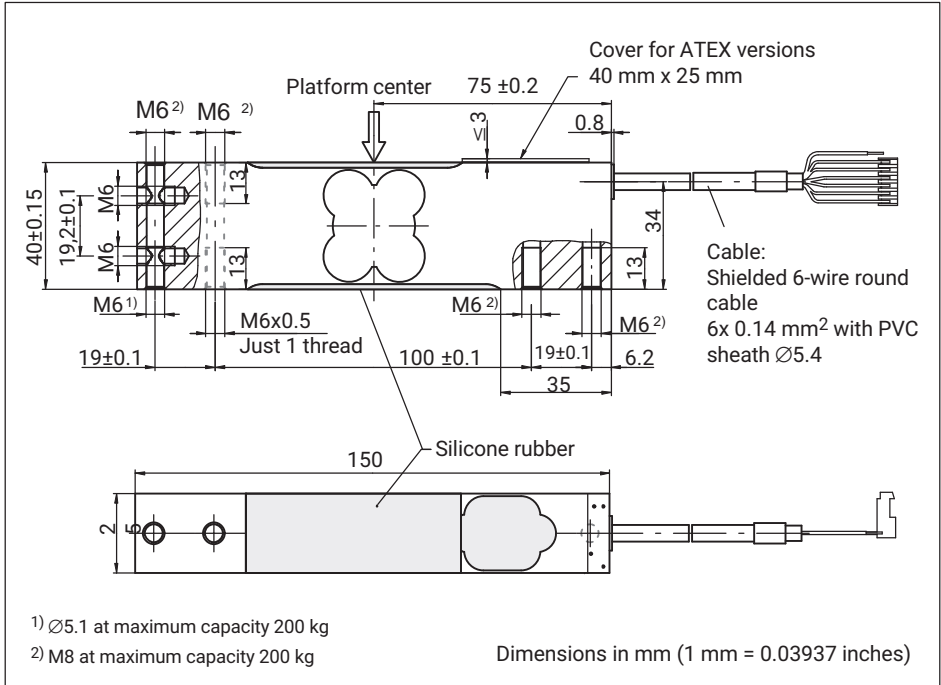
2) The values for non-linearity (d_{lin}), relative reversibility error (d_{hy}) and temperature coefficient of sensitivity (TK_C) are recommended values. The sum of these values is within the cumulative error limits laid down by OIML R60.

3) As per OIML R76.

4) Loading with E_{max} and center of gravity in center of load cell.

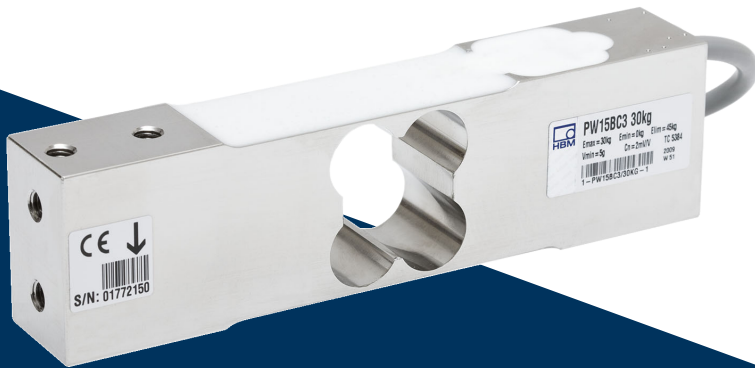
5) As per EN 10088-1.

7 DIMENSIONS



ENGLISH DEUTSCH FRANÇAIS

Montageanleitung



PW15B

INHALTSVERZEICHNIS

1	Sicherheitshinweise	3
2	Verwendete Kennzeichnungen	6
2.1	In dieser Anleitung verwendete Kennzeichnungen	6
2.2	Auf der Wägezelle angebrachte Symbole	6
3	Bedingungen am Einbauort	7
3.1	Korrosionsschutz	7
3.2	Ablagerungen	7
4	Mechanischer Einbau	8
4.1	Wichtige Vorkehrungen beim Einbau	8
4.2	Montage	8
5	Elektrischer Anschluss	10
5.1	Anschluss in Sechsheiter-Technik	10
5.2	Anschluss in Vierleiter-Technik	10
5.3	Kabelkürzung	11
5.4	Kabelverlängerung	11
5.5	Parallelschaltung (Option)	11
5.6	EMV-Schutz	11
6	Technische Daten	13
7	Abmessungen	16

Bestimmungsgemäße Verwendung

Die Wägezellen der Typenreihe PW15B... sind für wägetechnische Anwendungen im Rahmen der durch die technischen Daten spezifizierten Belastungsgrenzen konzipiert. Jeder andere Gebrauch ist nicht bestimmungsgemäß.

Die Wägezellen dürfen nur von qualifiziertem Personal ausschließlich entsprechend der technischen Daten unter Beachtung der Sicherheitsbestimmungen und Vorschriften dieser Montageanleitung eingesetzt werden. Zusätzlich sind die für den jeweiligen Anwendungsfall geltenden Rechts- und Sicherheitsvorschriften zu beachten. Sinngemäß gilt dies auch bei Verwendung von Zubehör.

Die Wägezellen sind nicht zum Einsatz als Sicherheitsbauteile bestimmt. Bitte beachten Sie hierzu den Abschnitt „Zusätzliche Sicherheitsvorkehrungen“. Der einwandfreie und sichere Betrieb der Wägezellen setzt sachgemäßen Transport, fachgerechte Lagerung, Aufstellung und Montage sowie sorgfältige Bedienung voraus.

Belastbarkeitsgrenzen

Beim Einsatz der Wägezellen sind die Angaben in den technischen Datenblättern unbedingt zu beachten. Insbesondere dürfen die jeweils angegebenen Maximalbelastungen keinesfalls überschritten werden. Nicht überschritten werden dürfen z. B. die in den technischen Datenblättern angegebenen Werte für

- Grenzlast
- Grenzlast bei max. Exzentrizität
- Grenzquerbelastung
- Bruchlasten
- Temperaturgrenzen
- Grenzen der elektrischen Belastbarkeit

Beachten Sie, dass beim Einbau mehrerer Wägezellen in eine Waage die Lastverteilung auf die einzelnen Wägezellen nicht immer gleichmäßig ist.

Einsatz als Maschinenelemente

Die Wägezellen können als Maschinenelemente eingesetzt werden. Bei dieser Verwendung ist zu beachten, dass die Wägezellen zu Gunsten einer hohen Messempfindlichkeit nicht mit den im Maschinenbau üblichen Sicherheitsfaktoren konstruiert wurden. Beachten Sie hierzu den Abschnitt „Belastbarkeitsgrenzen“ und die technischen Daten.

Unfallverhütung

Obwohl die angegebene Nennlast im Zerstörungsbereich ein Mehrfaches vom Messbereichsendwert beträgt, müssen die einschlägigen Unfallverhütungsvorschriften der Berufsgenossenschaften berücksichtigt werden.

Zusätzliche Sicherheitsvorkehrungen

Die Wägezellen können (als passive Aufnehmer) keine (sicherheitsrelevanten) Abschaltungen vornehmen. Dafür bedarf es weiterer Komponenten und konstruktiver Vorkehrungen, für die der Errichter und Betreiber der Anlage Sorge zu tragen hat.

Wo bei Bruch oder Fehlfunktion der Wägezellen Menschen oder Sachen zu Schaden kommen können, müssen vom Anwender geeignete zusätzliche Sicherheitsvorkehrungen getroffen werden, die zumindest den Anforderungen der einschlägigen Unfallverhütungsvorschriften genügen (z. B. automatische Notabschaltungen, Überlastsicherungen, Fanglaschen oder -ketten oder andere Absturzsicherungen).

Die das Messsignal verarbeitende Elektronik ist so zu gestalten, dass bei Ausfall des Messsignals keine Folgeschäden auftreten können.

Option Explosionsschutzausführung

Bei Wägezellen, die mit dieser Option ausgeliefert werden und in explosionsgefährdeten Bereichen eingesetzt werden sollen, gilt zusätzlich:

- Bei der Installation sind die einschlägigen Errichtungsbestimmungen zu beachten.
- Das Anschlusskabel der Plattformwägezellen in Explosionsschutzausführung hat freie Enden (Kabeladerbelegung siehe Abschnitt 5.1).
- Die Installationsbedingungen, die in der Konformitätsbescheinigung und/oder Baumusterprüfbescheinigung aufgeführt sind, müssen eingehalten werden.

Allgemeine Gefahren bei Nichtbeachten der Sicherheitshinweise

Die Wägezellen entsprechen dem Stand der Technik und sind betriebssicher. Von den Aufnehmern können Gefahren ausgehen, wenn sie von ungeschultem Personal oder unsachgemäß montiert, aufgestellt, eingesetzt und bedient werden. Jede Person, die mit Aufstellung, Inbetriebnahme, Betrieb oder Reparatur einer Wägezelle beauftragt ist, muss die Montageanleitung und insbesondere die sicherheitstechnischen Hinweise gelesen und verstanden haben. Bei nicht bestimmungsgemäßigem Gebrauch der Wägezellen, bei Nichtbeachtung der Montage- und Bedienungsanleitung, dieser Sicherheitshinweise oder sonstiger einschlägiger Sicherheitsvorschriften (Unfallverhütungsvorschriften der BG) beim Umgang mit den Wägezellen, können die Wägezellen beschädigt oder zerstört werden. Insbesondere bei Überlastungen kann es zum Bruch von Wägezellen kommen. Durch den Bruch einer Wägezelle können darüber hinaus Sachen oder Personen in der Umgebung der Wägezelle zu Schaden kommen.

Werden Wägezellen nicht ihrer Bestimmung gemäß eingesetzt oder werden die Sicherheitshinweise oder die Vorgaben der Montage- oder Bedienungsanleitung außer Acht gelassen, kann es ferner zum Ausfall oder zu Fehlfunktionen der Wägezellen kommen, mit der Folge, dass (durch auf die Wägezellen einwirkende oder durch diese überwachte Lasten) Menschen oder Sachen zu Schaden kommen können.

Der Leistungs- und Lieferumfang des Aufnehmers deckt nur einen Teilbereich der Wägetechnik ab, da Messungen mit (resistiven) Sensoren eine elektronische Signalverarbeitung voraussetzen. Sicherheitstechnische Belange der Wägetechnik sind zusätzlich vom Anlagenplaner/Ausrüster/Betreiber so zu planen, zu realisieren und zu verantworten,

dass Restgefahren minimiert werden. Die jeweils existierenden nationalen und örtlichen Vorschriften sind zu beachten.

Umbauten und Veränderungen

Der Aufnehmer darf ohne unsere ausdrückliche Zustimmung weder konstruktiv noch sicherheitstechnisch verändert werden. Jede Veränderung schließt eine Haftung unsererseits für daraus resultierende Schäden aus.

Wartung

Die Wägezellen PW15B... sind wartungsfrei.

Veräußerung

Bei einer Veräußerung der Wägezelle ist diese Montageanleitung der Wägezelle beizulegen.

Umweltschutz, Entsorgung

Nicht mehr gebrauchsfähige Aufnehmer sind gemäß den nationalen und örtlichen Vorschriften für Umweltschutz und Rohstoffrückgewinnung getrennt von regulärem Hausmüll zu entsorgen.

Falls Sie weitere Informationen zur Entsorgung benötigen, wenden Sie sich bitte an die örtlichen Behörden oder an den Händler, bei dem Sie das Produkt erworben haben.

Qualifiziertes Personal

Qualifiziertes Personal sind Personen, die mit Aufstellung, Montage, Inbetriebsetzung und Betrieb des Produktes vertraut sind und die über die ihrer Tätigkeit entsprechende Qualifikationen verfügen.






Dazu zählen Personen, die mindestens eine der drei folgenden Voraussetzungen erfüllen:

- Ihnen sind die Sicherheitskonzepte der Automatisierungstechnik bekannt und Sie sind als Projektpersonal damit vertraut.
- Sie sind Bedienungspersonal der Automatisierungsanlagen und im Umgang mit den Anlagen unterwiesen. Sie sind mit der Bedienung der in dieser Dokumentation beschriebenen Geräten und Technologien vertraut.
- Sie sind Inbetriebnehmer oder für den Service eingesetzt und haben eine Ausbildung absolviert, die Sie zur Reparatur der Automatisierungsanlagen befähigt. Außerdem haben Sie eine Berechtigung, Stromkreise und Geräte gemäß den Normen der Sicherheitstechnik in Betrieb zu nehmen, zu erden und zu kennzeichnen.

2 VERWENDETE KENNZEICHNUNGEN

2.1 In dieser Anleitung verwendete Kennzeichnungen

Wichtige Hinweise für Ihre Sicherheit sind besonders gekennzeichnet. Beachten Sie diese Hinweise unbedingt, um Unfälle und Sachschäden zu vermeiden.

Symbol	Bedeutung
 WARNUNG	Diese Kennzeichnung weist auf eine <i>mögliche</i> gefährliche Situation hin, die – wenn die Sicherheitsbestimmungen nicht beachtet werden – Tod oder schwere Körperverletzung zur Folge <i>haben kann</i> .
 VORSICHT	Diese Kennzeichnung weist auf eine <i>mögliche</i> gefährliche Situation hin, die – wenn die Sicherheitsbestimmungen nicht beachtet werden – leichte oder mittlere Körperverletzung zur Folge <i>haben kann</i> .
Hinweis	Diese Kennzeichnung weist auf eine Situation hin, die – wenn die Sicherheitsbestimmungen nicht beachtet werden – Sachschäden zur Folge <i>haben kann</i> .
 Wichtig	Diese Kennzeichnung weist auf <i>wichtige</i> Informationen zum Produkt oder zur Handhabung des Produktes hin.
 Tipp	Diese Kennzeichnung weist auf Anwendungstipps oder andere für Sie nützliche Informationen hin.
 Information	Diese Kennzeichnung weist auf Informationen zum Produkt oder zur Handhabung des Produktes hin.
<i>Hervorhebung</i> <i>Siehe ...</i>	Kursive Schrift kennzeichnet Hervorhebungen im Text und kennzeichnet Verweise auf Kapitel, Bilder oder externe Dokumente und Dateien.

2.2 Auf der Wägezelle angebrachte Symbole

CE-Kennzeichnung



Mit der CE-Kennzeichnung garantiert der Hersteller, dass sein Produkt den Anforderungen der relevanten EG-Richtlinien entspricht (die Konformitätserklärung finden Sie auf der Website von HBM (www.hbm.com) unter HBMDoc.

3 BEDINGUNGEN AM EINBAUORT

Die Wägezellen der Serie PW15B sind mit einer Vergussmasse versehen, um die DMS (Dehnungsmessstreifen) gegen Feuchte zu schützen. Die Aufnehmer erreichen die Schutzklasse IP67 nach DIN EN 60529. Trotzdem sollten die Wägezellen gegen dauerhafte Feuchteinwirkung geschützt werden.

3.1 Korrosionsschutz

Die Wägezelle muss gegen Chemikalien geschützt werden, die den Stahl des Aufnehmerkörpers oder das Kabel angreifen.

Hinweis

Säuren und alle Stoffe, die Ionen freisetzen, greifen auch nichtrostende Stähle und deren Schweißnähte an.

Die dadurch auftretende Korrosion kann zum Ausfall des Aufnehmers führen. Sehen Sie in diesem Fall entsprechende Schutzmaßnahmen vor.

3.2 Ablagerungen

Staub, Schmutz und andere Fremdkörper dürfen sich nicht so ansammeln, dass sie einen Teil der Messkraft auf das Gehäuse umleiten und dadurch den Messwert verfälschen (Kraftnebenschluss).

4 MECHANISCHER EINBAU

4.1 Wichtige Vorkehrungen beim Einbau

- Behandeln Sie den Aufnehmer schonend.
- Es dürfen keine Schweißströme über den Aufnehmer fließen. Sollte diese Gefahr bestehen, so müssen Sie den Aufnehmer mit einer geeigneten niederohmigen Verbindung elektrisch überbrücken. Hierzu bietet z. B. HBM das hochflexible Erdungskabel EEK an, das oberhalb und unterhalb des Aufnehmers angeschraubt wird.
- Stellen Sie sicher, dass der Aufnehmer nicht überlastet werden kann.

WARNUNG

Bei einer Überlastung des Aufnehmers besteht die Gefahr, dass der Aufnehmer bricht. Dadurch können Gefahren für das Bedienpersonal der Anlage auftreten, in die der Aufnehmer eingebaut ist.

Treffen Sie geeignete Sicherungsmaßnahmen zur Vermeidung einer Überlastung oder zur Sicherung gegen sich daraus ergebende Gefahren.

Hinweis

Wägezellen sind Präzisions-Messelemente und verlangen daher eine umsichtige Handhabung. Stöße oder Stürze können zu permanenten Schäden am Aufnehmer führen. Sorgen Sie dafür, dass auch bei der Montage keine Überlastung des Aufnehmers auftreten kann.

4.2 Montage

Befestigen Sie die Wägezellen an den Montagebohrungen und bringen Sie die Last am anderen Ende auf. Die folgende Tabelle enthält die zu verwendenden Schrauben und Anzugsmomente:

Nennlasten	Gewinde	Min.-Festigkeitsklasse	Anzugsmoment ¹⁾
7,5 ... 150 kg	M6	10.9	14 N·m
200 kg	M8	10.9	33 N·m

¹⁾ Richtwert für die angegebene Festigkeitsklasse. Zur Auslegung von Schrauben beachten Sie bitte entsprechende Informationen der Schraubenhersteller

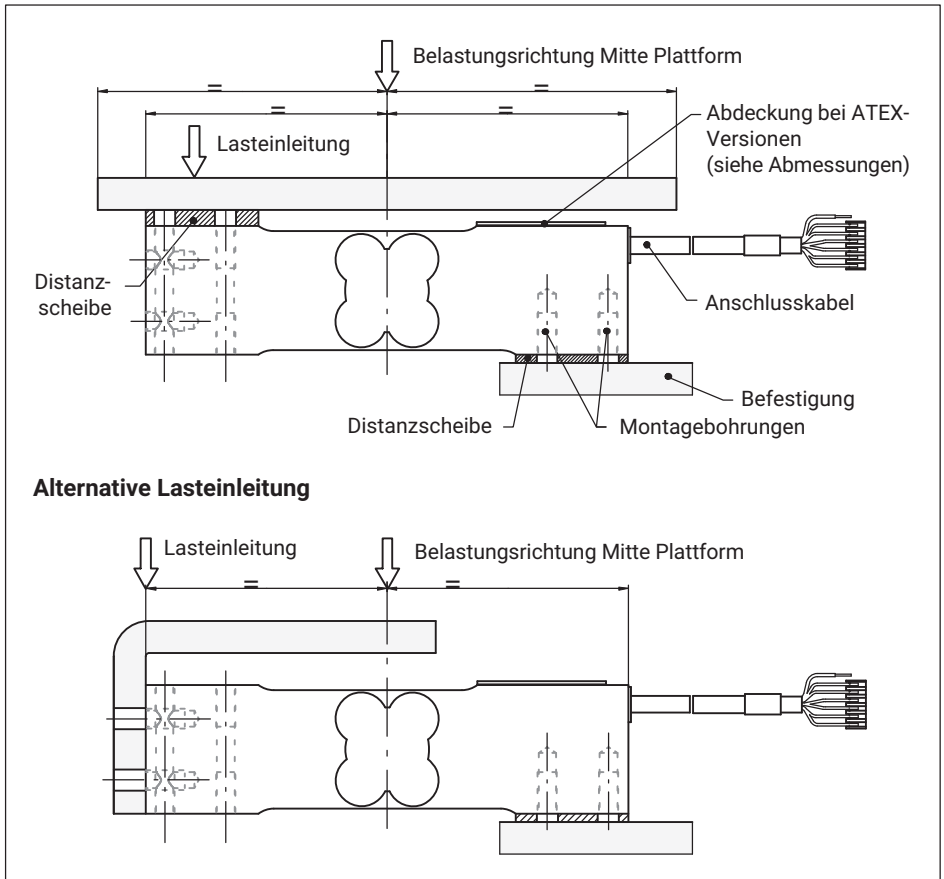


Abb. 4.1 Lasteinleitung und Einbau



Wichtig

Die Lasteinleitung darf nicht auf der Seite des Kabelanschlusses erfolgen, dies führt zu einem Kraftnebenschluss durch das Kabel.

5 ELEKTRISCHER ANSCHLUSS

Zur Messsignalverarbeitung können angeschlossen werden:

- Trägerfrequenz-Messverstärker
- Gleichspannungs-Messverstärker

die für DMS-Messsysteme ausgelegt sind.

Die Aufnehmer werden in der Standardversion mit einem 3 m langen Kabel mit 6-poligem Pancon-Stecker in Sechsheiter-Technik ausgeliefert.

5.1 Anschluss in Sechsheiter-Technik

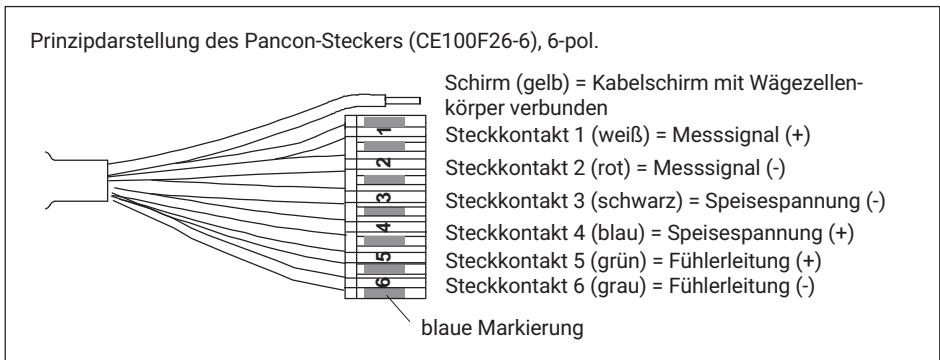


Abb. 5.1 Anschluss mit 6-adrigem Kabel (Längen wählbar 1,5 m, 3 m, 6 m oder 12 m)

Bei dieser Kabelbelegung ist bei Belastung des Aufnehmers (siehe Abb. 4.1) die Ausgangsspannung am Messverstärker positiv.

5.2 Anschluss in Vierleiter-Technik

Wenn Sie Aufnehmer, die in Sechsheiter-Technik ausgeführt sind, an Verstärker mit Vierleiter-Technik anschließen, müssen Sie die Fühlerleitungen der Aufnehmer mit den entsprechenden Speisespannungsleitungen verbinden: Kennzeichnung (+) mit (+) und Kennzeichnung (-) mit (-), siehe Abb. 5.1. Diese Maßnahme verkleinert unter anderem den Kabelwiderstand der Speisespannungsleitungen. Es entsteht jedoch durch den immer noch vorhandenen und nicht durch die Sechsheiter-Technik kompensierten Kabelwiderstand ein Spannungsverlust auf den Speiseleitungen. Ein Großteil dieses Verlustes kann durch eine Kalibrierung eliminiert werden, es verbleibt jedoch der temperaturabhängige Anteil. Der in den technischen Daten für den Aufnehmer angegebene TKc gilt daher bei Anschluss in Vierleiter-Technik nicht für die Kombination aus Kabel und Aufnehmer, hier kommt der Anteil des Kabels hinzu.

5.3 Kabelkürzung

Bei einem Anschluss des Aufnehmers an Verstärker in Sechsheiter-Technik können Sie das Kabel des Aufnehmers bei Bedarf kürzen, ohne dass dadurch die Messgenauigkeit beeinträchtigt wird.

5.4 Kabelverlängerung

Verwenden Sie nur abgeschirmte, kapazitätsarme Messkabel zur Verlängerung. Achten Sie auf eine einwandfreie Verbindung mit geringem Übergangswiderstand.

Das Kabel eines Sechsheiter-Aufnehmers kann mit einem gleichartigen Kabel verlängert werden.

5.5 Parallelschaltung (Option)

Nur Wägezellen mit abgeglichenen Ausgang (Nennkennwert und Ausgangswiderstand) sind zur Parallelschaltung geeignet. Die Wägezellen vom Typ PW15B sind mit dieser Option lieferbar.

5.6 EMV-Schutz

Elektrische und magnetische Felder verursachen oft eine Einkopplung von Störspannungen in den Messkreis. Für eine zuverlässige Messung müssen jedoch Signalunterschiede von wenigen μV , vom Aufnehmer zur Auswerteelektronik störungsfrei übertragen werden können.

Planung des Schirmungskonzepts

Aufgrund der vielfältigen Einsatzmöglichkeiten und der unterschiedlichen Randbedingungen vor Ort können wir Ihnen nur Hinweise für einen sachgerechten Anschluss geben. Das für Ihre Anwendung passende Schirmungskonzept muss vor Ort von einer entsprechenden Fachkraft geplant werden.

HBM-Wägezellen mit geschirmtem Rundkabel sind gemäß der EU-Richtlinie EMV geprüft und tragen die CE-Kennzeichnung. Durch Spannungstöße nach EN 61000-4-5 können Abweichungen über der spezifizierten Genauigkeit der Wägezelle entstehen. Solche Spannungstöße kommen in Anlagen z.B. durch Blitzeinschlag oder Schalthandlungen in Leistungsstromkreisen vor und verschwinden direkt nach Störeinwirkung wieder. Dies ist insbesondere bei Kabellängen über 30 m oder Verwendung im Außenbereich zu beachten. In diesen Anwendungsfällen sind kundenseitig zusätzliche Vorkehrungen zu treffen.

Zu beachtende Punkte:

- Schließen Sie den Schirm des Anschlusskabels flächig am schirmenden Gehäuse der Elektronik an. Schließen Sie bei der Verwendung von mehreren Wägezellen die Schirme flächig am Klemmenkasten (Zusammenführung der Aufnehmersignale, z. B. Typ VKK2 von HBM) an. Schließen Sie von dort aus das Messkabel zur Elektronik sowohl flächig am Klemmenkasten als auch flächig am schirmenden Gehäuse der Elektronik an.

- Der Schirm der Anschlusskabel darf nicht als Ableitung von Potenzialunterschieden innerhalb des Systems dienen. Verlegen Sie deshalb ausreichend dimensionierte Potenzialausgleichsleitungen, um mögliche Potenzialunterschiede auszugleichen.
- Verwenden Sie nur abgeschirmte kapazitätsarme Messkabel (HBM-Kabel erfüllen diese Bedingungen).
- Legen Sie die Messkabel nicht parallel zu Stromkabeln, insbesondere zu Starkstrom- und Steuerleitungen. Falls dies nicht möglich ist, schützen Sie die Messkabel, z. B. durch Stahlpanzerrohre.
- Meiden Sie Streufelder von Trafos, Motoren und Schützen

6 TECHNISCHE DATEN

Typ			PW15B...								
Genauigkeitsklasse 1)			C3MR								
Anzahl der Teilungswerte	n_{LC}		3000								
Nennlast	E_{max}	kg	7,5	15	20	30	50	75	100	150	200
Mindestteilungswert	v_{min}	g	0,5	1	2	2	5	5	10	10	20
Temperaturkoeffizient des Nullsignals pro 10 K	TK_0	% v. C_n	±0,0093	±0,0093	±0,0140	±0,0093	±0,0140	±0,0093	±0,0140	±0,0093	±0,0140
Maximale Plattformgröße		mm	500 x 400								
Nennkennwert	C_n		2,0 ±10% (Option 6: 2,0 mV/V ±0,1%)								
Abweichung des Nullsignals		mV/V	±0,1								
Temperaturkoeffizient des Kennwerts pro 10 K 2) im Temperaturbereich +20 ... +40 °C -10 ... +20 °C	TK_C	% v. C_n	±0,0175 ±0,0117								
Linearitätsabweichung 2)	d_{lin}		±0,0166								
Relative Umkehrspanne 2)	d_{hy}		±0,0166								
Mindestvorlastsignalrückkehr	$MDLOR$		±0,0166								
Eckenlastfehler 3)			ppm	≤ 233							
Eingangswiderstand	R_{LC}	Ω	380 ±15								
Ausgangswiderstand	R_0		359 ±5 (Option 6: 359 ±0,2)								

Typ			PW15B...								
Genauigkeitsklasse ¹⁾			C3MR								
Nennlast	E_{\max}	kg	7,5	15	20	30	50	75	100	150	200
Referenzspeisepannung	U_{ref}	V	5								
Nennbereich der Speisepannung	B_U		1 ... 12								
Maximale Speisepannung			15								
Isolationswiderstand bei 100 V _{DC}	R_{is}	GΩ	> 1								
Nenntemperaturbereich	B_T	°C	-10 ... +40								
Gebrauchstemperaturbereich	B_{tu}		-10 ... +50								
Lagerungstemperaturbereich	B_{tl}		-25 ... +70								
Grenzlast bei max. 160 mm Exzentrizität	E_L	% v. E_{\max}	150								
Grenzquerbelastung, statisch	E_{lq}		300								
Bruchlast	E_d		300								
Nennlast	E_{\max}	kg	7,5	15	20	30	50	75	100	150	200
Nennmessweg ⁴⁾ , ca.	s_{nom}	mm	0,21	0,2	0,2	0,2	0,18	0,17	0,17	0,17	0,17
Gewicht, ca.	G	kg	1								
Schutzart nach DIN EN 60529 (IEC 529)			IP67								

Typ			PW15B...								
Genauigkeitsklasse ¹⁾			C3MR								
Nennlast	E_{\max}	kg	7,5	15	20	30	50	75	100	150	200
Kabellänge (Standard)		m	3								
Material			Stahl 1.4545 ⁵⁾								
Messkörper			Silikongummi								
Abdeckung			PVC								
Kabelmantel											

1) Nach OIML R60 mit $P_{LC} = 0,7$.

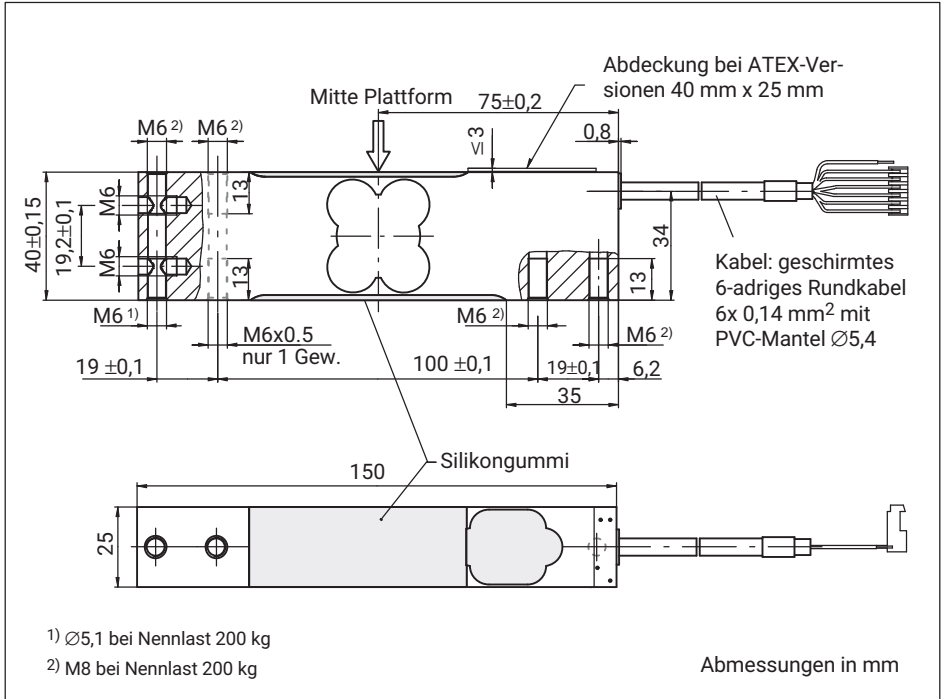
2) Die Werte für Linearitätsabweichung (d_{lin}), Relative Umkehrspanne (d_{hy}) und Temperaturkoeffizient des Kennwertes (TK_C) sind Richtwerte. Die Summe dieser Werte liegt innerhalb der Summenfehlergrenze nach OIML R60.

3) Nach OIML R76.

4) Belastung mit E_{\max} und Schwerpunkt in Wägezellenmitte.

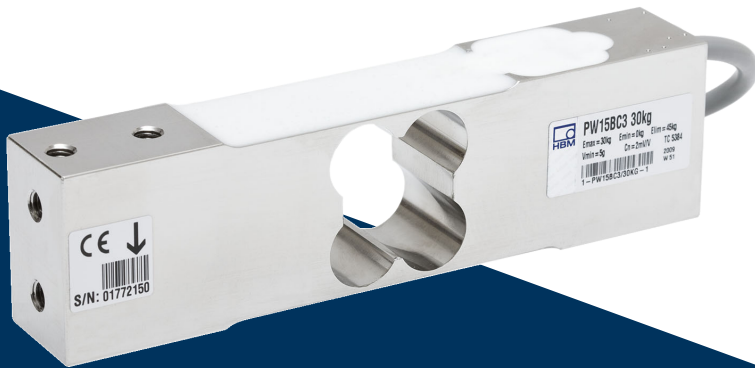
5) Nach EN 10088-1.

7 ABMESSUNGEN



ENGLISH DEUTSCH FRANÇAIS

Notice de montage



PW15B

TABLE DES MATIÈRES

1	Consignes de sécurité	3
2	Marquages utilisés	6
2.1	Marquages utilisés dans le présent document	6
2.2	Marquages utilisés sur le produit	6
3	Conditions environnementales à respecter	7
3.1	Protection contre la corrosion	7
3.2	Dépôts	7
4	Montage mécanique	8
4.1	Précautions importantes lors du montage	8
4.2	Montage	8
5	Raccordement électrique	10
5.1	Raccordement en technique six fils	10
5.2	Raccordement en technique quatre fils	10
5.3	Raccourcissement de câble	11
5.4	Rallonge de câble	11
5.5	Branchement en parallèle (option)	11
5.6	Protection CEM	11
6	Caractéristiques techniques	13
7	Dimensions	16

1 CONSIGNES DE SÉCURITÉ

Utilisation conforme

Les pesons de la série PW15B... sont conçus pour des applications de pesage dans le cadre des limites de charge spécifiées dans les caractéristiques techniques. Toute autre utilisation est considérée non conforme.

Les pesons doivent uniquement être manipulés par du personnel qualifié conformément aux caractéristiques techniques en respectant les consignes de sécurité et dispositions mentionnées dans la présente notice de montage. De plus, il convient, pour chaque cas particulier, de respecter les règlements et consignes de sécurité correspondants. Ceci s'applique également à l'utilisation des accessoires.

Les pesons ne sont pas destinés à être mis en œuvre comme éléments de sécurité. Reportez-vous à ce sujet au paragraphe "Mesures de sécurité supplémentaires". Afin de garantir un fonctionnement parfait et en toute sécurité des pesons, il convient de veiller à un transport, un stockage, une installation et un montage appropriés et d'assurer un maniement scrupuleux.

Limites de capacité de charge

Lors de l'utilisation des pesons, respecter impérativement les données fournies dans les caractéristiques techniques. Les charges maximales indiquées ne doivent notamment en aucun cas être dépassées. Il ne faut pas dépasser les valeurs indiquées dans les caractéristiques techniques par ex. pour

- la charge limite,
- la charge limite pour l'excentricité maxi.,
- la charge transversale limite,
- les charges de rupture,
- les limites de température,
- les limites de charge électrique.

En cas de montage de plusieurs pesons dans une balance, notez que la charge n'est pas toujours répartie de façon homogène sur les différents pesons.

Utilisation en tant qu'éléments de machine

Les pesons peuvent être utilisés en tant qu'éléments de machine. Dans ce type d'utilisation, il convient de noter que les pesons ne peuvent pas présenter les facteurs de sécurité habituels en construction mécanique, car l'accent est mis sur la sensibilité élevée. Reportez-vous à ce sujet au paragraphe "Limites de capacité de charge" et aux caractéristiques techniques.

Prévention des accidents

Bien que la charge nominale indiquée dans la plage de destruction corresponde à un multiple de la pleine échelle, il est impératif de respecter les directives pour la prévention des accidents du travail éditées par les caisses professionnelles d'assurance accident.

Mesures de sécurité supplémentaires

Les pesons ne peuvent déclencher (en tant que capteurs passifs) aucun arrêt (relatif à la sécurité). Il faut pour cela mettre en œuvre d'autres composants et prendre des mesures constructives, tâches qui incombent à l'installateur et à l'exploitant de l'installation.

Lorsque les pesons risquent de blesser des personnes ou endommager des biens suite à une rupture ou un dysfonctionnement, l'utilisateur doit prendre des mesures de sécurité supplémentaires appropriées afin de répondre au moins aux exigences des directives pour la prévention des accidents du travail (par ex. dispositifs d'arrêt automatiques, limiteurs de charge, lanières ou chaînes de sécurité ou tout autre dispositif antichute).

L'électronique traitant le signal de mesure doit être conçue de manière à empêcher tout endommagement consécutif à une panne du signal.

Option antidéflagrante

Pour les pesons équipés de cette option et devant être utilisés en atmosphère explosible, il convient d'appliquer en complément les points suivants :

- Lors de l'installation, il faut tenir compte des directives d'édification en vigueur.
- Le câble de liaison des pesons plateformes en version antidéflagrante a des extrémités libres (code de câblage, voir paragraphe 5.1).
- Les conditions d'installation indiquées dans la déclaration de conformité et/ou l'attestation du type doivent être respectées.

Risques généraux en cas de non-respect des consignes de sécurité

Les pesons correspondent au niveau de développement technologique actuel et présentent une parfaite sécurité de fonctionnement. Les capteurs peuvent représenter un danger s'ils sont montés, installés, utilisés et manipulés par du personnel non qualifié sans tenir compte des consignes de sécurité. Toute personne chargée de l'installation, de la mise en service, de l'utilisation ou de la réparation d'un peson doit impérativement avoir lu et compris la notice de montage et notamment les informations relatives à la sécurité. En cas d'utilisation non conforme des pesons, de non-respect de la notice de montage et du manuel d'emploi, ainsi que des présentes consignes de sécurité ou de toute autre consigne de sécurité applicable pour l'usage des pesons (par ex. les directives pour la prévention des accidents du travail éditées par les caisses professionnelles d'assurance accident), les pesons peuvent être endommagés ou détruits. En cas de surcharges notamment, les pesons peuvent se briser. En outre, la rupture d'un peson peut endommager des biens ou blesser des personnes se trouvant à proximité du peson.

Si les pesons sont utilisés pour un usage non conforme ou que les consignes de sécurité ou encore les prescriptions de la notice de montage ou du manuel d'emploi sont ignorées, cela peut également entraîner une panne ou des dysfonctionnements des

pesons pouvant à leur tour provoquer des préjudices corporels ou matériels (de par les charges agissant sur les pesons ou celles surveillées par ces derniers).

Les performances du capteur et l'étendue de la livraison ne couvrent qu'une partie de la technique de pesage car les mesures effectuées avec des capteurs (résistifs) supposent l'emploi d'un traitement de signal électronique. La sécurité dans ce domaine doit également être conçue, mise en œuvre et prise en charge par l'ingénieur/le constructeur/l'opérateur de manière à minimiser les dangers résiduels. Il convient de respecter les réglementations nationales et locales en vigueur.

Transformations et modifications

Il est interdit de modifier le capteur sur le plan conceptuel ou celui de la sécurité sans accord explicite de notre part. Nous ne saurions en aucun cas être tenus responsables des dommages qui résulteraient d'une modification quelconque.

Entretien

Les pesons PW15B... sont sans entretien.

Cession

En cas de cession du peson, la présente notice de montage doit être jointe au peson.

Protection de l'environnement, élimination des déchets

Conformément aux réglementations nationales et locales en matière de protection de l'environnement et de recyclage, les capteurs hors d'usage doivent être éliminés séparément des ordures ménagères normales.

Pour plus d'informations sur l'élimination d'appareils, consultez les autorités locales ou le revendeur auprès duquel vous avez acheté le produit en question.

Personnel qualifié

Sont considérées comme personnel qualifié les personnes familiarisées avec l'installation, le montage, la mise en service et l'exploitation du produit, et disposant des qualifications nécessaires à l'accomplissement de leur tâche.






En font partie les personnes remplissant au moins une des trois conditions suivantes :

- Vous connaissez les concepts de sécurité de la technique d'automatisation et vous les maîtrisez en tant que chargé de projet.
- Vous êtes opérateur des installations d'automatisation et avez été formé pour pouvoir utiliser les installations. Vous savez comment utiliser les appareils et technologies décrits dans le présent document.
- En tant que personne chargée de la mise en service ou de la maintenance, vous disposez d'une formation vous autorisant à réparer les installations d'automatisation. Vous êtes en outre autorisé à mettre en service, mettre à la terre et marquer des circuits électriques et appareils conformément aux normes de la technique de sécurité.

2 MARQUAGES UTILISÉS

2.1 Marquages utilisés dans le présent document

Les remarques importantes pour votre sécurité sont repérées d'une manière particulière. Il est impératif de tenir compte de ces consignes, afin d'éviter les accidents et les dommages matériels.

Symbole	Signification
 AVERTISSEMENT	Ce marquage signale un risque <i>potentiel</i> qui - si les dispositions relatives à la sécurité ne sont pas respectées - <i>peut avoir</i> pour conséquence de graves blessures corporelles, voire la mort.
 ATTENTION	Ce marquage signale un risque <i>potentiel</i> qui - si les dispositions relatives à la sécurité ne sont pas respectées - <i>peut avoir</i> pour conséquence des blessures corporelles de gravité minimale ou moyenne.
Note	Ce marquage signale une situation qui - si les dispositions relatives à la sécurité ne sont pas respectées - <i>peut avoir</i> pour conséquence des dégâts matériels.
 Important	Ce marquage signale que des informations <i>importantes</i> concernant le produit ou sa manipulation sont fournies.
 Conseil	Ce marquage est associé à des conseils d'utilisation ou autres informations utiles.
 Information	Ce marquage signale que des informations concernant le produit ou sa manipulation sont fournies.
<i>Mise en valeur</i> <i>Voir ...</i>	Pour mettre en valeur certains mots du texte, ces derniers sont écrits en italique.

2.2 Marquages utilisés sur le produit

Label CE



Avec le marquage CE, le fabricant garantit que son produit est conforme aux exigences des directives CE qui s'y appliquent (Pour voir la déclaration de conformité visitez <http://www.hbm.com/HBMdoc>).

3 CONDITIONS ENVIRONNANTES À RESPECTER

Les pesons de la série PW15B sont dotés d'une masse de scellement afin de protéger les jauges (d'extensométrie) de l'humidité. Les capteurs atteignent la classe de protection IP67 selon DIN EN 60529. Les pesons doivent cependant être protégés contre toute influence durable de l'humidité.

3.1 Protection contre la corrosion

Le peson doit être protégé contre les produits chimiques susceptibles d'attaquer l'acier du corps du capteur ou le câble.

Note

Les acides et toutes les substances libérant des ions attaquent également les aciers inoxydables et leurs cordons de soudure.

La corrosion éventuelle qui peut en résulter est susceptible d'entraîner la défaillance du capteur. Prévoir dans ce cas des mesures de protection correspondantes.

3.2 Dépôts

La poussière, la saleté et autres corps étrangers ne doivent pas s'accumuler sous peine de dévier une partie de la force de mesure sur le boîtier et ainsi de fausser la valeur de mesure (shunt).

4 MONTAGE MÉCANIQUE

4.1 Précautions importantes lors du montage

- Manipuler le capteur avec précaution.
- Aucun courant de soudage ne doit traverser le capteur. Si cela risque de se produire, le capteur doit être shunté électriquement à l'aide d'une liaison de basse impédance appropriée. À cet effet, HBM propose par ex. le câble de mise à terre très souple EEK vissé au-dessus et au-dessous du capteur.
- S'assurez-vous que le capteur ne peut pas être surchargé.

AVERTISSEMENT

En cas de surcharge du capteur, ce dernier risque de se briser. Cela peut être dangereux pour les opérateurs de l'installation dans laquelle le capteur est monté. Prendre des mesures de protection appropriées pour éviter toute surcharge ou pour se protéger des risques qui pourraient en découler.

Note

Les pesons sont des éléments sensibles de précision et doivent donc être maniés avec précaution. Les chocs et les chutes risquent de provoquer un endommagement irréversible du capteur. Veiller à ce que le capteur ne puisse pas être surchargé lors du montage également.

4.2 Montage

Fixer les pesons au niveau des orifices de montage et appliquer la charge à l'autre extrémité. Le tableau ci-dessous indique les vis et couples de serrage à utiliser :

Charges nominales	Filetage	Classe de dureté min.	Couple de serrage ¹⁾
7,5 ... 150 kg	M6	10.9	14 N·m
200 kg	M8	10.9	33 N·m

¹⁾ Valeur recommandée pour la classe de dureté indiquée. Pour le dimensionnement des vis, respecter les informations correspondantes fournies par le fabricant des vis

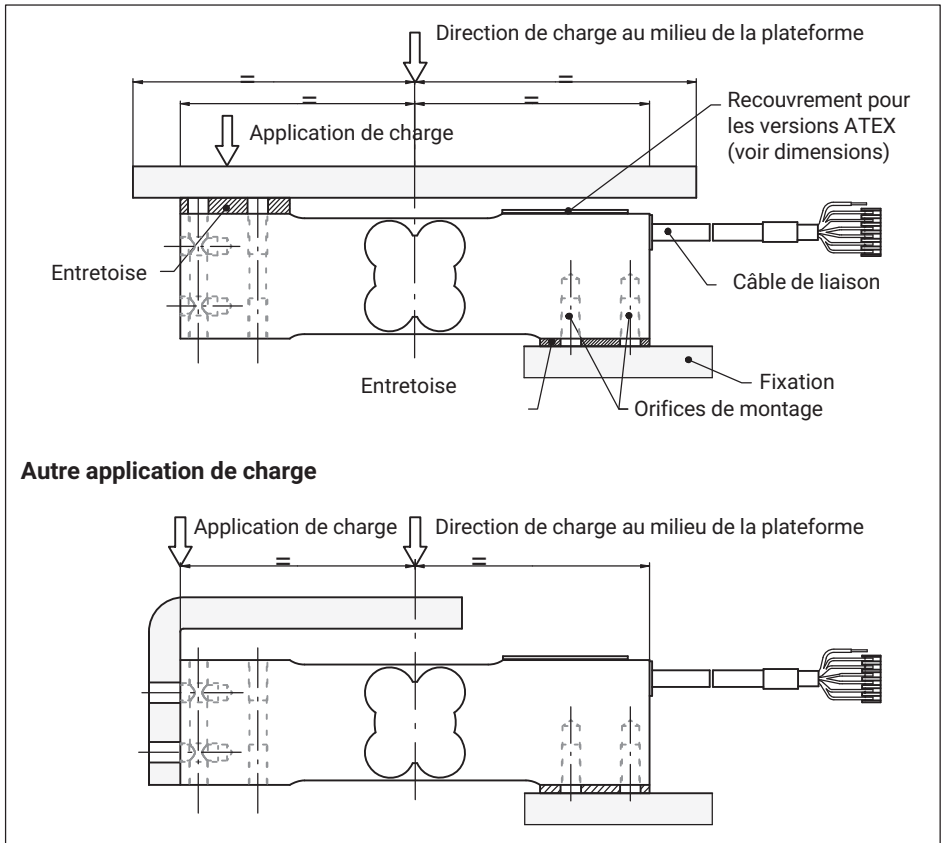


Fig. 4.1 Application de charge et montage



Important

La charge ne doit pas être appliquée du côté du raccordement du câble afin d'éviter tout shunt de force dû au câble.

5 RACCORDEMENT ÉLECTRIQUE

Pour traiter les signaux de mesure, il est possible de raccorder :

- des amplificateurs à fréquence porteuse,
- des amplificateurs à courant continu,

convenant aux systèmes de mesure à jauges d'extensométrie.

En version standard, les capteurs sont livrés avec un câble de 3 m muni d'un connecteur Pancon à 6 pôles en technique six fils.

5.1 Raccordement en technique six fils

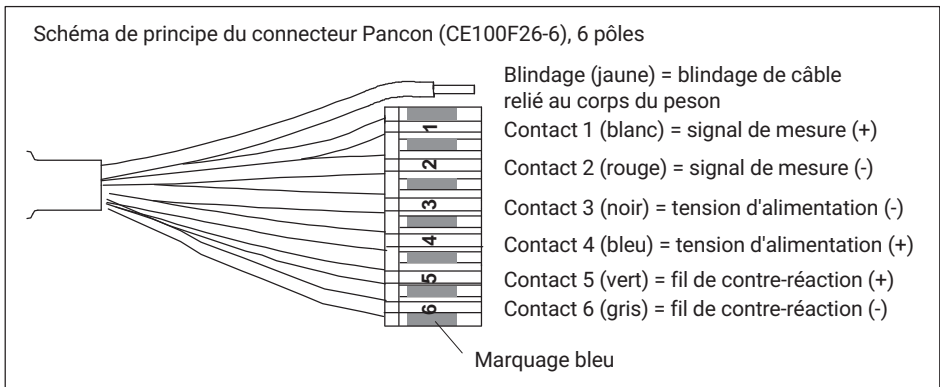


Fig. 5.1 Raccordement avec un câble à 6 fils (longueurs au choix : 1,5 m, 3 m, 6 m ou 12 m)

Avec ce code de câblage, la tension de sortie de l'amplificateur de mesure est positive lorsque le capteur est sollicité (voir Abb. 4.1).

5.2 Raccordement en technique quatre fils

Lors du raccordement de capteurs en technique six fils à un amplificateur en technique quatre fils, il est nécessaire de relier les fils de contre-réaction des capteurs aux fils de tension d'alimentation correspondants : (+) avec (+) et (-) avec (-), voir Abb. 5.1. Cette mesure réduit entre autres la résistance intrinsèque des fils de tension d'alimentation. Toutefois, une perte de tension, liée à la résistance intrinsèque encore présente et non compensée par la technique 6 fils, se produit sur tous les fils d'alimentation. La majeure partie de cette perte peut être éliminée par un calibrage, cependant la partie dépendant de la température reste. Le TK_c indiqué dans les caractéristiques techniques du capteur n'est donc pas valable, lors d'un raccordement en technique 4 fils, pour la combinaison câble/capteur. Dans ce cadre, la partie du câble doit être ajoutée à cela.

5.3 Raccourcissement de câble

Lors d'un raccordement du capteur à l'amplificateur en technique six fils, le câble du capteur peut être raccourci, le cas échéant, sans nuire à l'exactitude de mesure.

5.4 Rallonge de câble

Utiliser uniquement des câbles de mesure blindés de faible capacité comme rallonges. Veiller à obtenir une connexion parfaite avec une faible résistance de contact.

Le câble d'un capteur à six fils peut être rallongé avec un câble de même type.

5.5 Branchement en parallèle (option)

Seuls les pesons avec sortie ajustée (sensibilité nominale et résistance de sortie) sont adaptés pour un branchement en parallèle. Les pesons de type PW15B sont disponibles avec cette option.

5.6 Protection CEM

Les champs électriques et magnétiques provoquent souvent le couplage de tensions perturbatrices dans le circuit de mesure. Pour une mesure fiable, le système doit pouvoir transmettre sans parasitage des écarts de signaux de quelques μV du capteur à l'électronique d'exploitation.

Planification du concept de blindage

En raison de la multitude de possibilités d'utilisation et de conditions sur site, nous pouvons uniquement vous donner des indications pour un raccordement correct. Le concept de blindage adapté à votre application doit être planifié sur place par un spécialiste compétent.

Les capteurs de pesage HBM avec câble rond blindé sont éprouvés CEM conformément à la directive européenne correspondante et portent le marquage CE. Des chocs de tension selon EN 61000-4-5 peuvent générer des écarts supérieurs à l'exactitude spécifiée du capteur de pesage. De tels chocs de tension apparaissent dans les installations, par exemple suite à des impacts de foudre ou à des manœuvres dans des circuits de puissance. Ils disparaissent immédiatement après la perturbation. Cela est à prendre en compte en particulier pour les câbles de plus de 30 m ou en cas d'utilisation en extérieur. Dans ces cas, le client doit prendre des mesures supplémentaires.

Points à observer :

- Raccorder le blindage du câble de liaison en nappe au boîtier blindé de l'électronique. En cas d'utilisation de plusieurs capteurs de pesage, raccorder les blindages en nappe au boîtier de raccordement (regroupement des signaux de capteurs, par ex. type VKK2 de HBM). De là, raccorder le câble de mesure menant à l'électronique aussi bien en nappe au niveau du boîtier de raccordement qu'en nappe au niveau du boîtier blindé de l'électronique.

- Le blindage du câble de liaison ne doit pas servir de dérivation pour les différences de potentiel au sein du système. Poser plutôt des lignes d'équipotentialité de dimension suffisante pour compenser les différences de potentiel éventuelles.
- Utiliser uniquement des câbles de mesure blindés de faible capacité (les câbles de mesure HBM remplissent cette condition).
- Éviter absolument de poser les câbles de mesure en parallèle avec des câbles électriques, notamment des lignes de puissance et de contrôle. Si cela n'est pas possible, protéger le câble de mesure, par ex. à l'aide de tubes en acier blindé.
- Éviter les champs de dispersion des transformateurs, moteurs et vannes.

6 CARACTÉRISTIQUES TECHNIQUES

Type			PW15B...								
Classe de précision ¹⁾			C3MR								
Nombre de graduations	n_{LC}		3000								
Charge nominale	E_{max}	kg	7,5	15	20	30	50	75	100	150	200
Graduation minimale	v_{min}	g	0,5	1	2	2	5	5	10	10	20
Coefficient de température du signal zéro par 10 K	TK_0	% de C_n	±0,0093	±0,0093	±0,0140	±0,0093	±0,0140	±0,0093	±0,0140	±0,0093	±0,0140
Taille maximale de la plateforme		mm	500 x 400								
Sensibilité nominale	C_n	mV/V	2,0 ±10 % (option 6 : 2,0 mV/V ±0,1 %)								
Déviaton du zéro			±0,1								
Coefficient de température de la sensibilité par 10 K ²⁾ dans la plage de température +20 ... +40 °C -10 ... +20 °C	TK_C		±0,0175 ±0,0117								
Erreur de linéarité ²⁾	d_{lin}	% de C_n	±0,0166								
Erreur de réversibilité relative ²⁾	d_{hy}		±0,0166								
Rapport du signal de sortie à la charge morte minimale de la LC	$MDLOR$		±0,0166								
Erreur d'excentricité ³⁾		ppm	≤ 233								

Type			PW15B...								
Classe de précision ¹⁾			C3MR								
Charge nominale	E_{max}	kg	7,5	15	20	30	50	75	100	150	200
Résistance d'entrée	R_{LC}	Ω	380 ±15								
Résistance de sortie	R_0		359 ±5 (option 6 : 359 ±0,2)								
Tension d'alimentation de référence	U_{ref}	V	5								
Plage nominale de la tension d'alimentation	B_U		1 ... 12								
Tension d'alimentation maximale			15								
Résistance d'isolement pour 100 V _{C.C.}	R_{is}	GΩ	> 1								
Plage nominale de température	B_T	°C	-10 ... +40								
Plage utile de température	B_{tu}		-10 ... +50								
Plage de température de stockage	B_{tl}		-25 ... +70								
Charge limite pour une excentricité de 160 mm maxi.	E_L	% de E_{max}	150								
Charge transversale limite, statique	E_{lq}		300								
Charge de rupture	E_d		300								
Charge nominale	E_{max}	kg	7,5	15	20	30	50	75	100	150	200
Déplacement nominal ⁴⁾ , approx.	s_{nom}	mm	0,21	0,2	0,2	0,2	0,18	0,17	0,17	0,17	0,17
Poids, env.	G	kg	1								

Type			PW15B...								
Classe de précision ¹⁾			C3MR								
Charge nominale	E_{max}	kg	7,5	15	20	30	50	75	100	150	200
Degré de protection selon EN 60529 (IEC 529)			IP67								
Longueur de câble (standard)		m	3								
Matériau			Acier 1.4545 ⁵⁾								
Élément de mesure			Gomme silicone								
Recouvrement			PVC								
Gaine de câble											

1) Selon OIML R60 avec $P_{LC} = 0,7$.

2) Les valeurs d'erreur de linéarité (d_{lin}), de réversibilité relative (d_{hy}) et de coefficient de température de la valeur caractéristique (TK_C) sont des valeurs recommandées. Le total de ces valeurs se situe dans la limite d'erreurs cumulées de la recommandation internationale OIML R60.

3) Selon OIML R76.

4) Charge avec E_{max} et centre de gravité au centre du peson.

5) Selon EN 10088-1.

7 DIMENSIONS

